

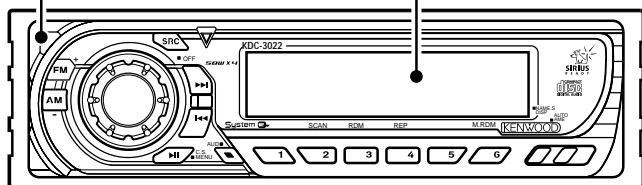
KDC-3022, 322 KDC-5023/R, 5024/V/Y/YV KDC-507, 5094RY SERVICE MANUAL

•CD MECHANISM OPERATION DESCRIPTION is not in this service manual.
Please refer to service manual for X92-4450-0X (B51-7889-00).

CD mechanism extension cord (22PIN) : W05-0618-00

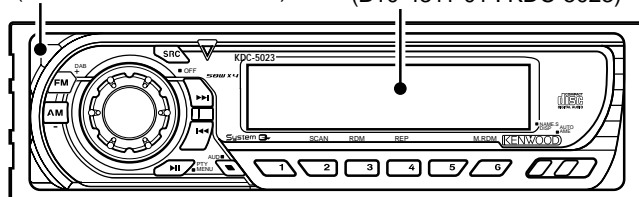
Panel assy
(A64-2824-02 : KDC-3022)
(A64-2825-02 : KDC-322)

Front glass
(B10-4304-01 : KDC-3022)
(B10-4305-01 : KDC-322)



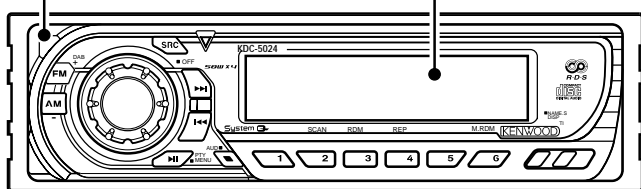
Panel assy
(A64-2833-02 : KDC-5023R)
(A64-2834-02 : KDC-5023)

Front glass
(B10-4310-01 : KDC-5023R)
(B10-4311-01 : KDC-5023)



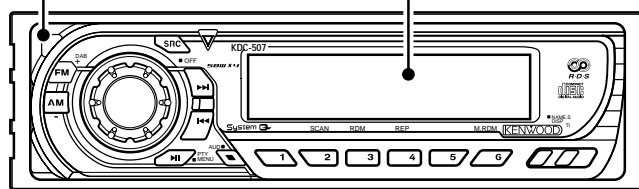
Panel assy
(A64-2838-02 : KDC-5024/Y)
(A64-2851-02 : KDC-5024V/YV)

Front glass
(B10-4314-01 : KDC-5024/Y)
(B10-4324-01 : KDC-5024V/YV)



Panel assy
(A64-2839-02 : KDC-5094RY)
(A64-2842-02 : KDC-507)

Front glass
(B10-4315-01 : KDC-5094RY)
(B10-4317-01 : KDC-507)



※ DC cord
(E30-4784-05)
(E30-6131-05)

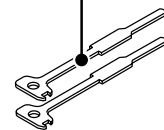
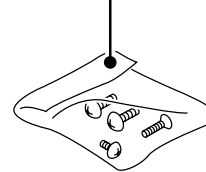
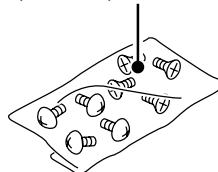
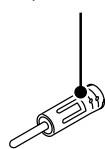
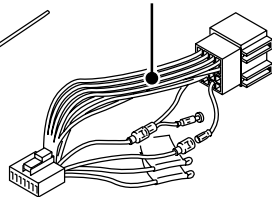
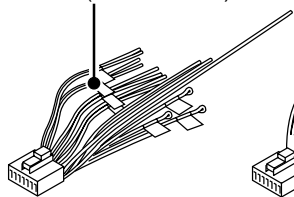
※ DC cord
(E30-4790-05)
(E30-6134-05)

※ Antenna adaptor
(T90-0523-05)

※ Screw set
(N99-1719-05)

Screw set
(N99-1730-15)

Lever
(D10-4589-04)

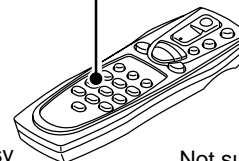
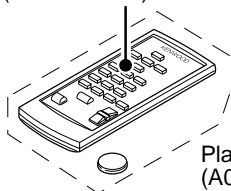
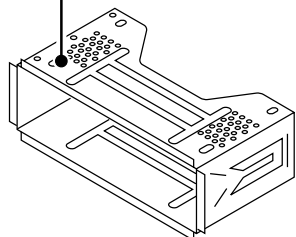
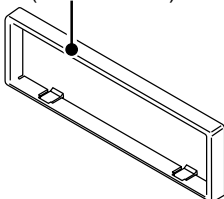


※ Escutcheon
(B07-3022-02)
(B07-3083-02)
(B07-3089-02)

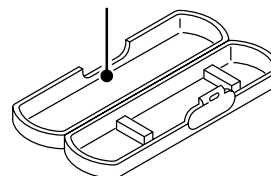
Mounting hardware assy
(J21-9716-03)

※ Remote controller assy(RC-410)
(A70-2025-05)

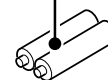
※ Remote controller assy(RC-505)
(A70-2040-05)



Plastic cabinet assy
(A02-1486-13)

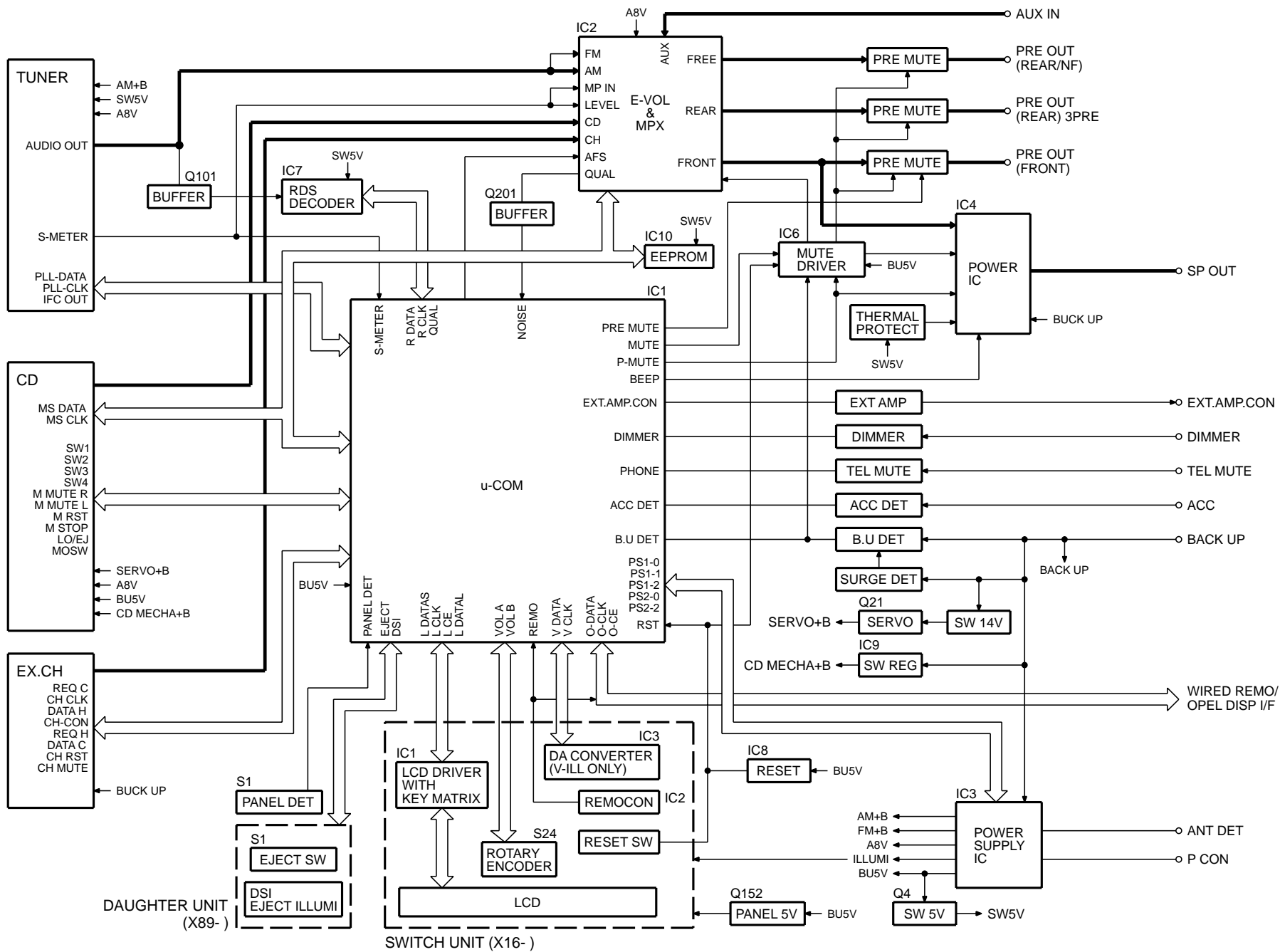


Not supplied



※ Depends on model. Refer to the parts list.





KDC-3022,322,5023/R,5024/V/Y/YV,507,5094RY

COMPONENTS DESCRIPTION

● CD PLAYER UNIT (X32-5390-00/01)

Ref.No.	Component Name	Application/Functions	Operation/Condition/Compatibility
IC1	AN22002AA	RF amplifier adapted for CD-RW	Generation of RF signal based on the signals from the APC circuit and pickup, and generation of servo error (focusing error and tracking error) signals. Detection of dropout, anti-shock, track crossing and off-track conditions, included gain control function during CD-RW.
IC2	MN6627771KP	CD signal processor built-in MI-COM	Focusing, tracking, sled and spindle servo processing. Automatic adjustment (focusing, tracking, gain, offset and balance) operations. Digital signal processing (DSP, PLL, sub-codes, CIRC error correction, audio data Interpolation) operations, and Microcomputer function.
IC3	BA5824FP	4CH BTL driver	Focusing coil, tracking coil, spindle motor and sled motor driver, disc loading and eject operation.
IC4	NJM4580M1	Low pass filter	2nd low pass filter for audio signals
Q1	MCH6101	APC	LD power control
Q2	2SA1362(Y)	D.5V SW	When P ON signal goes "L", Q2 is ON
Q3	DTC124EUA	Q4 SW	When P ON signal goes "L"(SW+5V AVR is ON), Q3 is ON
Q4	DTA143XUA	A.8V SW	When P ON signal goes "L"(Q3 is ON), Q4 is ON
Q5	2SC4081	Current driver	Current driver
Q6	2SA1576A	Current driver	Current driver
D1	DAN202U	Protection diode	Laser diode protection
D2	MA8051-L	Zener diode	DAC AVR/LPF reference voltage (A.5V)
D3	DA204U	Current driver	Current driver

● ELECTRIC UNIT (X25-9580-xx/2232-xx)

Ref.No.	Component Name	Application/Functions	Operation/Condition/Compatibility														
IC1	M30302MC-5W3FP M30302MC-1N4FP	System microcomputer	Control for TUNER unit, CD mechanism, volume & tone, LCD driver and external CD changer unit														
IC2	TDA7407D	Electronic volume & N.C.MPX	Control for source selector, volume & tone, and FM multiplex detector.														
IC3	BA4911-V4	Power supply IC	Power supply for the units (Bu5V, Audio8V, FM+B, AM+B, P-con and ANT-con) <table border="1" style="margin-left: 20px;"> <tr> <td>SW1</td> <td>OUT</td> </tr> <tr> <td>1.5-3.0V</td> <td>Audio ON</td> </tr> <tr> <td>3.5-5.0V</td> <td>Audio, P-con ON</td> </tr> <tr> <td>7.0V-</td> <td>Audio, P-con, P-ant ON</td> </tr> <tr> <td>SW2</td> <td></td> </tr> <tr> <td>2.0-3.0V</td> <td>Illumination, FM ON</td> </tr> <tr> <td>4.0V-</td> <td>Illumination, AM ON</td> </tr> </table>	SW1	OUT	1.5-3.0V	Audio ON	3.5-5.0V	Audio, P-con ON	7.0V-	Audio, P-con, P-ant ON	SW2		2.0-3.0V	Illumination, FM ON	4.0V-	Illumination, AM ON
SW1	OUT																
1.5-3.0V	Audio ON																
3.5-5.0V	Audio, P-con ON																
7.0V-	Audio, P-con, P-ant ON																
SW2																	
2.0-3.0V	Illumination, FM ON																
4.0V-	Illumination, AM ON																
IC4	TA8273H	Audio power amp IC	Amplifier for audio signal to derive for 4channel speakers (50W maximum for each channel)														
IC6	HD74HC27FP	Muting control IC	Control for timing for mute														
IC7	SAA6581T	RDS decoder	Decode for RDS signal														
IC8	PST3435UL	Reset IC	When detection voltage goes below 3.5V or less Reset IC output change to "L" signal														
Q1	2SC4081	Serge detection	When backup voltage become more than 24V output is "L" (momentary power down) / When backup voltage become less than 24V output is "H"														
Q2	2SC4081	Backup detection	When BU voltage supplied output is "L" / When BU voltage not supplied or momentary power down is detected output is "H"														
Q3	2SC4081	ACC detection	When ACC voltage supplied output is "L"														
Q4	2SA1036K	SW 5V	When base voltage is "L" Q4 is ON														
Q21	2SD2375	AVR	Servo regulator														
Q22	UMC2N	SW	Servo SW														
Q23	UMC2N	IC control	Power supply IC controller														
Q101	KRC410	Buffer amp	COMPOSITE SIGNAL BUFFER														
Q151	DTA114YUA	DSI driver	When base voltage level is "L" DSI LED is light up / When base voltage level is "H" DSI LED turns off / When panel assy is pull off, cut off the supply to panel 5V AVR.														

COMPONENTS DESCRIPTION

Ref.No.	Component Name	Application/Functions	Operation/Condition/Compatibility
Q152	2SA1576A	Panel 5V SW	When panel assy attached to the unit, Q152 base gose "L" and supply to panel 5V AVR to panel assy
Q153	KRC404	Illumination control	When Q153 base voltage to "H", illumination is light up
Q154	2SA1577	Illumination control	When Q153 base voltage to "H", illumination is light up
Q201	KRC410	Buffer amp	Noise buffer amp
Q351	KRC410	Pre mute SW	When base voltage to "H", muting to the rear Lch line
Q352	KRC410	Pre mute SW	When base voltage to "H", muting to the rear Rch line
Q354	KRA303	Pre mute SW	When base voltage to "L", drive to pre mute SW(Q351,352,355,356)
Q355	KRC410	Pre mute SW	When base voltage to "H", muting to the front Lch line
Q356	KRC410	Pre mute SW	When base voltage to "H", muting to the front Rch line

● SWITCH UNIT (X16-203x-xx/2032-xx)

Ref.No.	Component Name	Application/Functions	Operation/Condition/Compatibility
IC1	NJU6535	LCD driver	Drive for LCD unit
IC2	PNA4S22M	Remote control IC	Receiving for the remote control unit
Q1,Q4	DTA114EUA	Remo.on SW	When base voltage level goes "L" the power supply IC2 is turned "ON"
Q2	2SC4081	Key illumination SW	Lights up for green key illumination when base voltage level goes "H"
Q3	2SC4081	Key illumination SW	Lights up for red key illumination when base voltage level goes "H"

MICROCOMPUTER'S TERMINAL DESCRIPTION

● IC1: ELECTRIC UNIT (X25-9580-xx/2232-xx)

Pin No.	Name	I/O	Description/Processing Operation
1-5	N.C	-	Open
6	REMO	I	Remote control signal input terminal
7	N.C	-	Open
8	BYTE	I	EXT. bus width select input terminal (GND)
9	CNVSS	-	Pull down to GND
10	XCIN	I	Sub clock input terminal (32.768KHz)
11	XCOUT	O	Sub clock output terminal (32.768KHz)
12	RESET	I	Reset terminal (Active : L)
13	XOUT	O	Main clock output terminal (10MHz)
14	VSS	-	GND
15	XIN	I	Main clock input terminal (10MHz)
16	VCC	-	Power supply input terminal (BU 5V)
17	NMI	-	Pull up to BU5V
18	EJECT	I	Eject detection terminal (Active L)
19	R-CLK	I	RDS decoder clock input terminal
20	LX-REQ S	I	EXT. unit request signal input terminal (Request L)
21	ILL CON	O	Illumination control terminal
22	PANEL 5V	O	Control for Panel5V AVR (Active L)
23	VOL A	I	Volume key input terminal
24	VOL B	I	Volume key input terminal
25	LOE/LIM SW	I	CD mechanism down sw detect input terminal (Disc clamp : H)
26	BEEP	O	Beep audio signal output terminal
27	M STOP	O	Request signal (Mechanism is STOP) output to CD mechanism (active L)
28	MOSW	O	CD mechanism motor control output terminal (Loading, eject ,brake : H)
29	PLL-CLK	O	System clock put to Front-end
30	PLL-DATA	I/O	Data input / out put to Front-end
31	LX-DATA M	O	EXT. unit Data output to EXT.unit
32	LX-DATA S	I	EXT. unit Data input from EXT.unit
33	LX-CLK	I/O	EXT.unit Clock input/output terminal
34	LX-REQ M	O	EXT unit Request output terminal (Request L)
35	L DATAS	O	DATA output terminal to LCD driver IC
36	L DATAL	I	DATA input terminal from LCD driver IC
37	L CLK	O	CLK output terminal to LCD driver IC
38	FLIP-DET	I	Panel assy open detect terminal (panel close : L)
39	L CE	O	CE output for LCD driver IC
40	LO/LE	I/O	CD mechanism loading / eject control terminal
41	EPM	I	Flash memory control terminal (pull down to GND, 100K)
42	M RST	O	Reset signal output to CD mechanism (active L)
43	M-MUTE R	I	Request to muting signal(R ch) from Mechanism (Mute on : L)
44	12EJE SW	I	12cm CD disc eject SW detection input terminal (12cm disc : L)
45	M-MUTE L	I	Request to muting signal (L ch) from Mechanism (Mute on : L)
46	LX-CON	O	EXT.unit select control terminal (Active H)
47	LO.S SW	I	Loading start SW detection input terminal (Loading start : L)
48	DSI	I	Disc guide illumination control terminal (Lighting on : L)
49	PANEL DET	I	Panel assy detect terminal (Panel assy come off : L)
50	N.C	-	Open

MICROCOMPUTER'S TERMINAL DESCRIPTION

Pin No.	Name	I/O	Description/Processing Operation
51	IFC OUT	I	IFC OUT input terminal
52	R-DATA	I	RDS decoder data input terminal
53	R-QUAL	I	RDS decoder QUAL input terminal
54	N.C	-	Open
55	AFS	O	Noise detection (FM seek, AM search : L)
56	SDA	I/O	Control Data input / output terminal for electric volume, CD mechanism
57	SCL	O	Clock DATA output terminal for electric volume, CD mechanism
58	MUTE	O	Muting control terminal (to IC2)
59	N.C	-	Open
60,61	IC2 TYPE0/1	I	Market/Genuine model setting terminal
62	VCC	-	Power supply input terminal (BU 5V)
63	N.C	-	Open
64	VSS	-	GND
65-67	TYPE0-2	I	Destination setting terminal
68	N.C	-	Open
69	SVR	O	Power IC SVR control terminal (Power off : L)
70	S-STBY	O	Power IC standby control terminal (Power IC on : H)
71	P-MUTE	O	Power IC standby muting control terminal (Power mute/all off/TEL mute : L)
72	SW5V	O	SW5V on/off control terminal (SW5V ON : L)
73	B.U DET	I	BU detect input terminal (BU detect : L)
74	ACC-DET	I	ACC detection input terminal (ACC detect : L)
75	N.C	-	Open
75-80	PS1-0/1/2,PS2-0/1	O	Power supply IC control terminal
81	LX-MUTE	I	Muting signal request for EXT.unit (Muting ON : L)
82-88	N.C	-	Open
89	KEY-REQ	I	Request for communicate from LCD driver IC (KEY input : L)
90-92	N.C	-	Open
93	S-METER	I	S meter voltage detection input terminal
94	NOISE	I	FM noise detection input terminal
95	N.C	-	Open
96	AVSS	-	GND
97	PHONE	I	Mobil phone detection input terminal
98	VREF	-	Ref. voltage input terminal
99	AVCC	-	Power supply input terminal (BU 5V)
100	REFCON	O	VERF control terminal (Power ON : H)

TEST MODE

1. How to enter the test mode

- While holding the preset 1 key and 3 keys, reset the unit.

2. How to exit from the test mode

- Reset the unit, ACC OFF, power OFF, and come off the front panel assy for the unit.

3. Initial status in the test mode

- Sources : All OFF.
- Display : All segments were lit.
- Volume : -10 dB (displayed as 30)
- Loudness : OFF
- CRSC : OFF regardless of the presence of switching function.
- SYSTEM Q : Flat.
- Aux : ON
- Display color : white (variable color display model only)
- Beep sound : ON

4. Special display in Tuner mode

When any of the following messages is displayed in Tuner mode, the Front-end (F/E) may be bad condition.

- "TNE2P NG": The EEPROM is set to the default (unstable values) because the F/E was shipped without passing through the adjustment process, etc.
- "TNCON NG": Communication with the F/E to micro-processor is not possible.

5. Forced switching of K3I

Each press of the Preset 6 key in Tuner mode should switch K3I from AUTO → Forced Wide → Forced Middle → Forced Narrow → AUTO. The initial status is AUTO and the display shows these modes as follows.

- AUTO : FMA
- Forced Wide : FMW
- Forced Middle : FMM
- Forced Narrow : FMN

6. Test mode specifications of the CD receiver

- Forced ejection is inhibited in the reset start operation.
When the unit is reset while a CD is loaded in it, the CD is not recognized by resetting.
- Each press of the Track Up key jumps to the following track numbers:
No. 9 → No. 15 → No. 10 → No. 11 → No. 12 → No. 13 → No. 22 → No. 14 → No. 9 (The cycle restarts from here.)
- Each press of the Track Down key jumps to the previous track number to the track being played.

- When the number of total tracks of an MP3 disc is nine or less, unit playback from a track 1.
- When the media to CD-DA, unit playback from track No.28 by key operation of preset 1 key.

7. Audio-related specifications

- A short press of the Q key initiates the audio adjustment mode.
- Pressing the * key on the remote initiates the audio adjustment mode.
- Continuous holding of a remote control key is inhibited.
- Bass, Middle and Treble are adjusted in 3 steps of -8 / 0 / +8 with the Track Up/down keys (default is 0).
- Balance is adjusted in 3 steps of Left L15 / 0 / R15 Max with the Track Up/down keys (default is 0).
- Fader is adjusted in 3 steps of Rear15 / 0 / F15 Max with the Track Up/down keys (default is 0).
- HPF is adjusted in 2 steps of Through/170Hz (or 200Hz) with the Track Up/down keys (default is through).
- LPF is adjusted in 2 steps of Through/120Hz with the Track Up/down keys (default is through).
- Bass f, Bass Q, Bass EXT, Middle f, Middle Q and Treble f are not dealt with by the audio adjustment.

8. Menu-related specifications

- A short press of the PLAY/PAUSE key initiates the Menu mode.
- Pressing the DNPP key on the remote initiates the Menu mode.
- Continuous holding of a remote control key is inhibited.
- Contrast is adjusted press of the Track up/down key in 3 steps of 0 / 5 / 10 (default is 5).

9. Backup current measurement

When the unit is reset while ACC is OFF (i.e. by turning Backup ON), the MUTE terminal goes OFF in 2 seconds in place of 15 second. (The CD mechanism is not activated at this time.)

TEST MODE

10. Special display when the display is all on

Pressing the Preset keys while the power is ALL OFF displays the following information.

PRESET 1	Version display (8 digits, Month/Day/Hour/Minute) (Display) SYS xxxxxxxx
PRESET 2	Serial No. display (8 digits) (Display) S. No. xxxxxxxx
PRESET 3	Short press: View power ON time. (The All OFF period is not counted.) Long press/hold: Clear power ON time. (Display) PonTim xxxxx Max. 60,000 (hours)
PRESET 4	Short press: Display CD operation time. Long press/hold: Clear CD operation time (Display) CDTime xxxxx Max. 60,000 (hours)
PRESET 5	Short press: Display CD ejection count. Long press/hold: Clear CD ejection count. (Display) EjeTim xxxxx Max. 60,000 (times)
PRESET 6	Short press: Display Panel open/close count. Long press/hold: Clear Panel open/close count. (Display) PnCnt xxxxx Max. 60,000 (times)
FM	ROM correction version information (Display) ROM Rxxxx If not mounting ROM correction chip set display shows ROM R_

11. Change the condition of TUNER channel space selection (K/M type only)

While holding the preset 1 key and 5 keys, reset the unit.

Security-related information

1. Forced Power ON mode (All models)

Even when the security is approved, resetting the unit while holding the Q and Preset 4 keys makes it possible to turn the power ON for 30 minutes.

After 30 minutes have elapsed, it is not possible to return to the previous condition unless the unit is reset again.

2. Method of registration of the security code after EEPROM (Tuner unit assy) replacement (Code security model)

1. Enter the test mode. (See 1. How to enter the test mode)
2. Press the MENU key to enter the MENU mode.
3. Press and hold down the Track up/down key for 1 second until "Security" is displayed.
4. Enter the code using the FM/AM/TARCK up/down keys.
 - FM key: number is up
 - AM key: number is dawn
 - Track up key: move the cursor for right side
 - Track down key: move the cursor for left side

5. Hold down the Track up key for at least 3 seconds and the message, "RE-ENTER" appears, so once again enter the code according to Step 3 above.
6. Press and hold the Track up key for 3 seconds until "APPROVED" is displayed.
7. Exit from the test mode. (See 2. How to exit from the test mode)
(Note) All Clear is not applicable to the security code of this model.

3. Simplified method of clearing the security code (K, E Type only)

1. While the code entry is requested, press and hold the TRACK UP key for 3 seconds while holding the DISP key pressed. (This should turn "----" off.)
2. Enter "KCAR" from the remote.
 - Press the 5 key on the remote twice, and then press the Track Up key. (This enters "K".)
 - Press the 2 key on the remote 3 times, and then press the Track Up key. (This enters "C".)
 - Press the 2 key on the remote once, and then press the Track Up key. (This enters "A".)
 - Press the 7 key on the remote twice, and then press the Track Up key. (This enters "R".)
3. The security code is cleared and the unit enters the ALL OFF mode.
4. If you commit a mistake in the code entry, the unit enters the code request mode again.

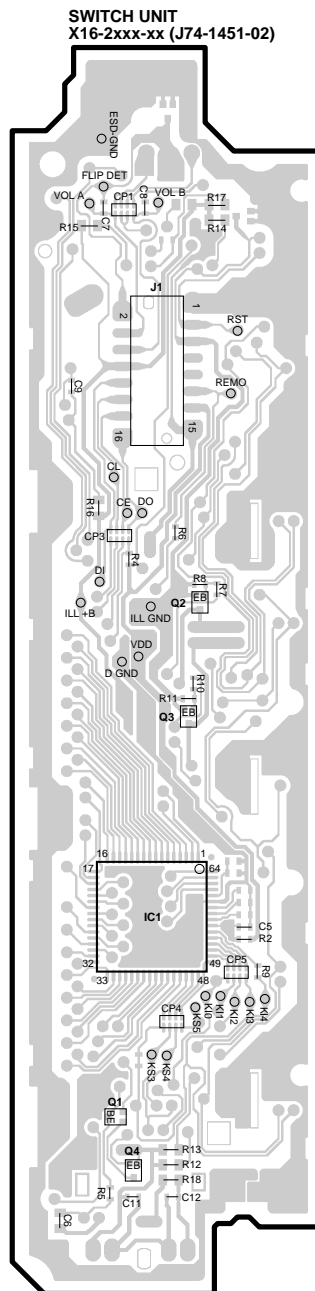
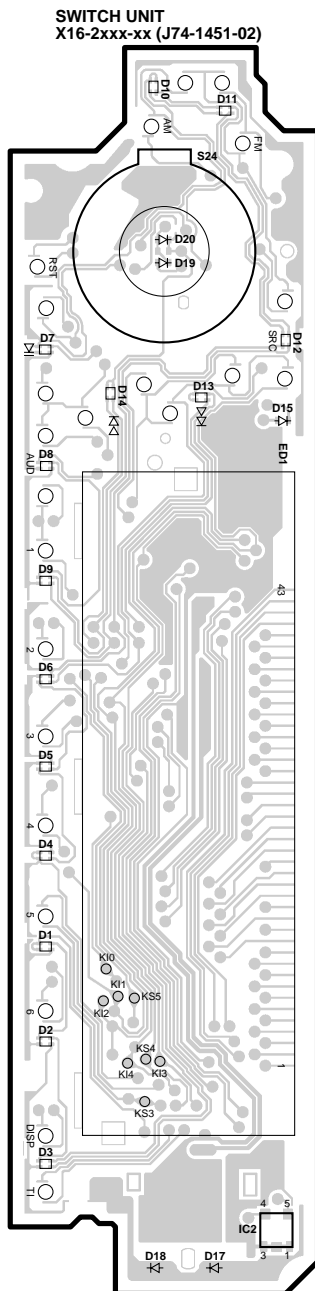
KDC-3022,322,5023/R,5024/V/Y/YV,507,5094RY

PC BOARD

KDC-5023R,5024/Y/V/YV
KDC-5094RY,507

(COMPONENT SIDE VIEW)

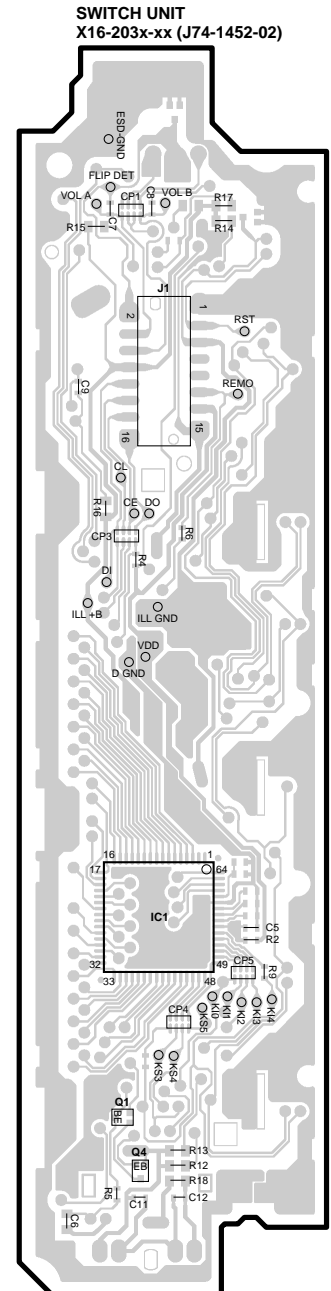
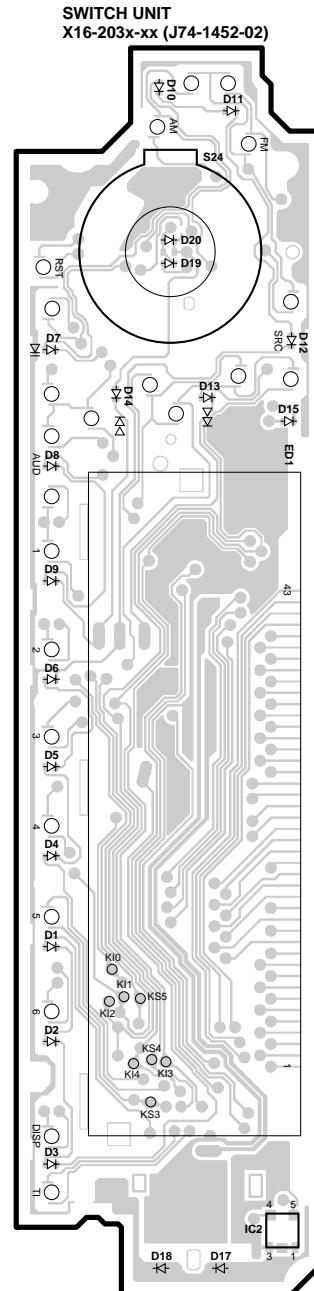
(FOIL SIDE VIEW)



KDC-322/3022/5023

(COMPONENT SIDE VIEW)

(FOIL SIDE VIEW)



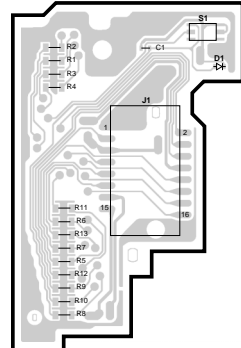
SWITCH UNIT
X16-2xxx-xx

Ref. No	address
IC1	4B
IC2	6B
Q1	5B
Q2	3B
Q3	4B
Q4	5B

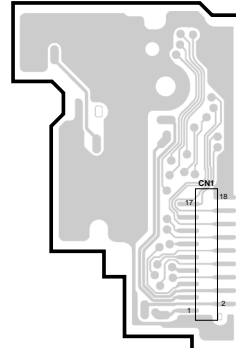
(COMPONENT SIDE VIEW)

(FOIL SIDE VIEW)

DAUGHTER UNIT
X89-2570-10/2662-70 (J74-1450-02)



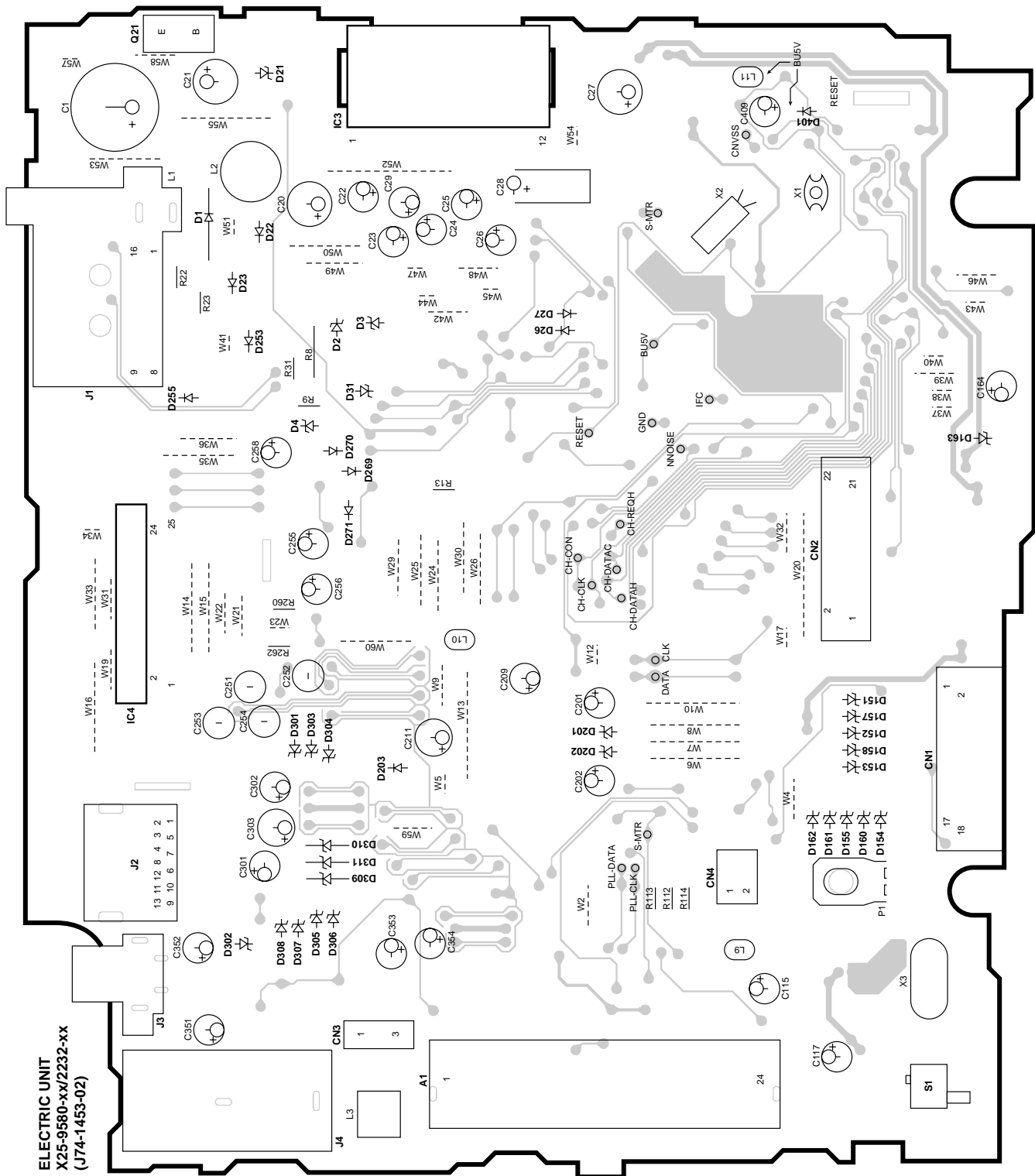
DAUGHTER UNIT
X89-2570-10/2662-70 (J74-1450-02)



SWITCH UNIT
X16-203x-xx

Ref. No	address
IC1	4E
IC2	5D
Q1	5D
Q4	5D

KDC-3022,322,5023/R,5024/V/Y/YV,507,5094RY PC BOARD (COMPONENT SIDE VIEW)

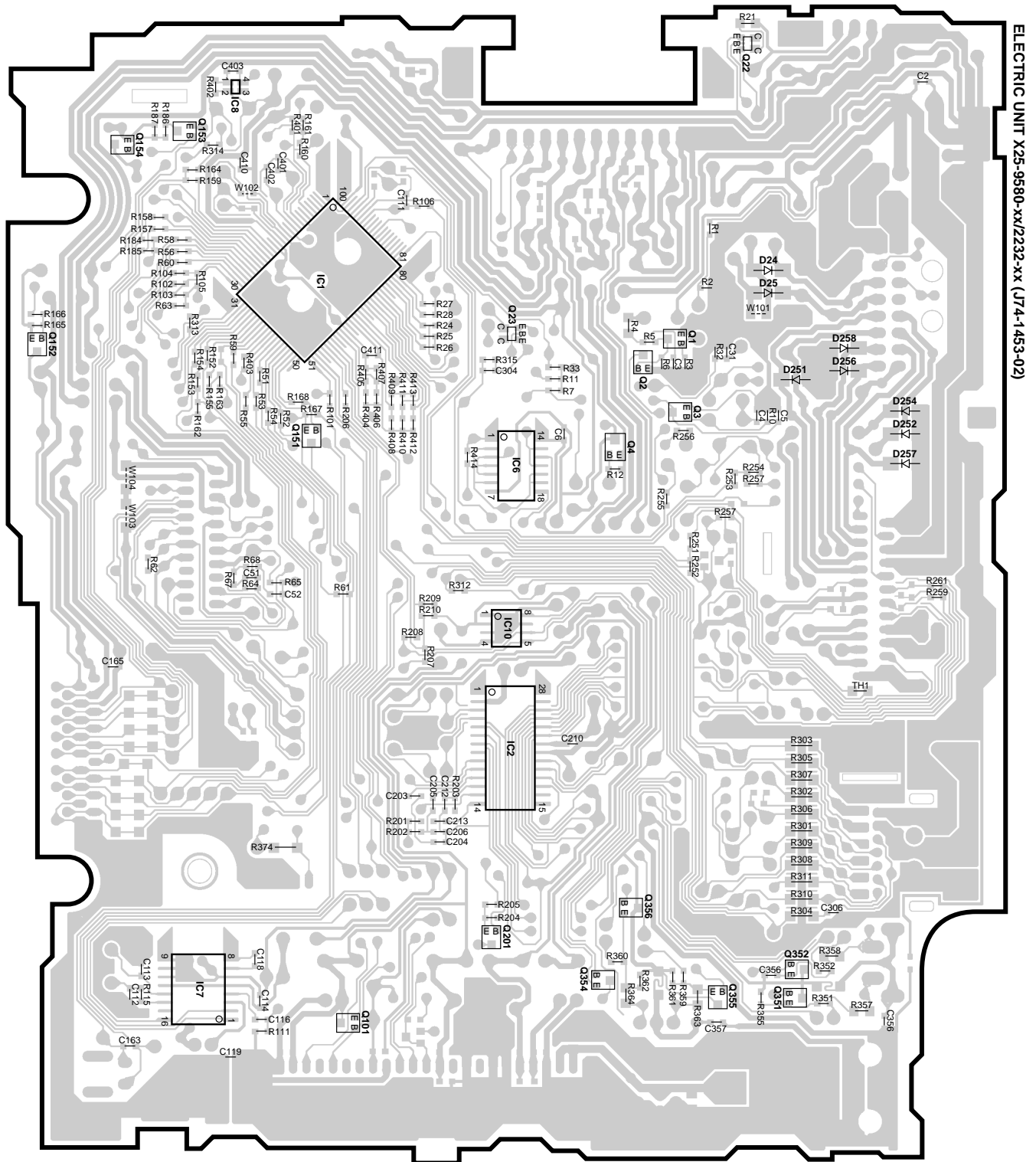


ELECTRIC UNIT
X25-9580-xx/2232-xx
(J74-1453-02)

X25-9580-xx/2232-xx

Ref. No	address
IC3	2H
IC4	4F
Q21	1G

KDC-3022,322,5023/R,5024/V/Y/YV,507,5094RY PC BOARD (FOIL SIDE VIEW)

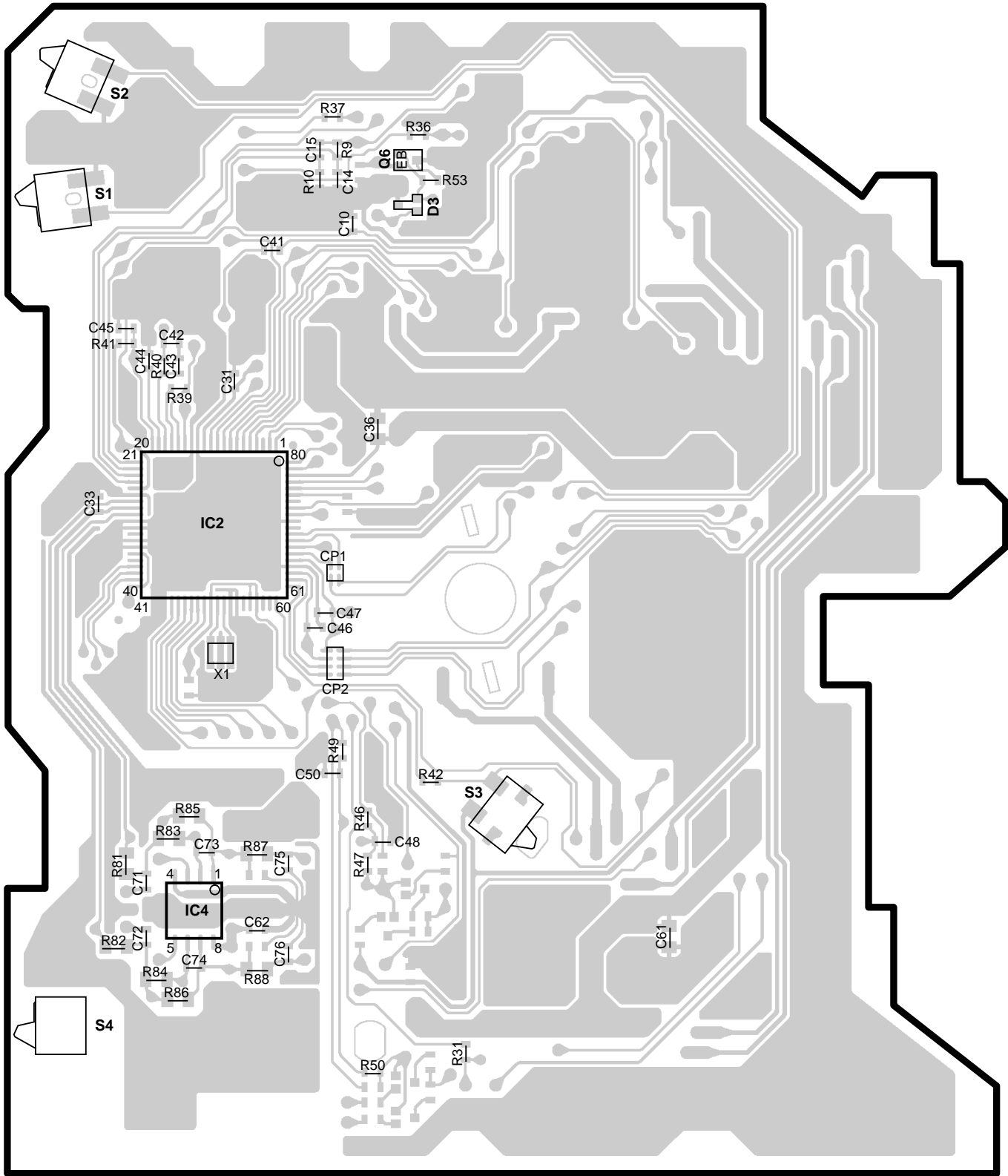


X25-9580-xx/2232-xx

Ref. No	address	Ref. No	address	Ref. No	address	Ref. No	address	Ref. No	address
IC1	2L	IC10	4M	Q22	1N	Q153	2K	Q354	5M
IC2	4M	Q1	3N	Q23	3M	Q154	2K	Q355	6N
IC6	3M	Q2	3M	Q101	6L	Q201	5M	Q356	5M
IC7	6K	Q3	3N	Q151	3L	Q351	6N		
IC8	2L	Q4	3M	Q152	3K	Q352	5N		

KDC-3022,322,5023/R,5024/V/Y/YV,507,5094RY PC BOARD (COMPONENT SIDE VIEW)

CD PLAYER UNIT X32-5390-00/01 (J74-1485-12)

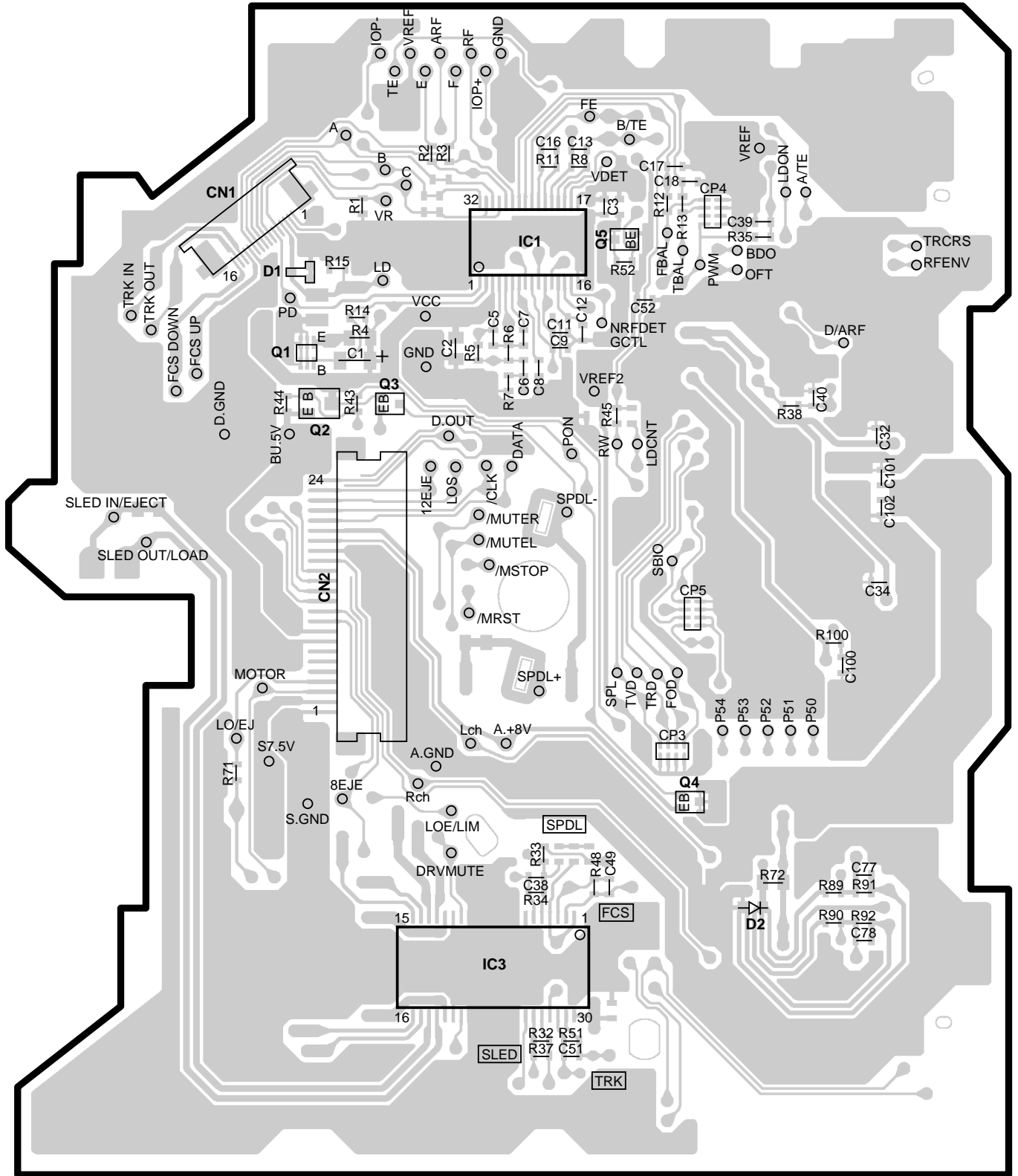


X32-5390-00/01

Ref. No	address
IC2	4Q
IC4	5Q
Q6	2R

KDC-3022,322,5023/R,5024/V/Y/YV,507,5094RY PC BOARD (FOIL SIDE VIEW)

CD PLAYER UNIT X32-5390-00/01 (J74-1485-12)

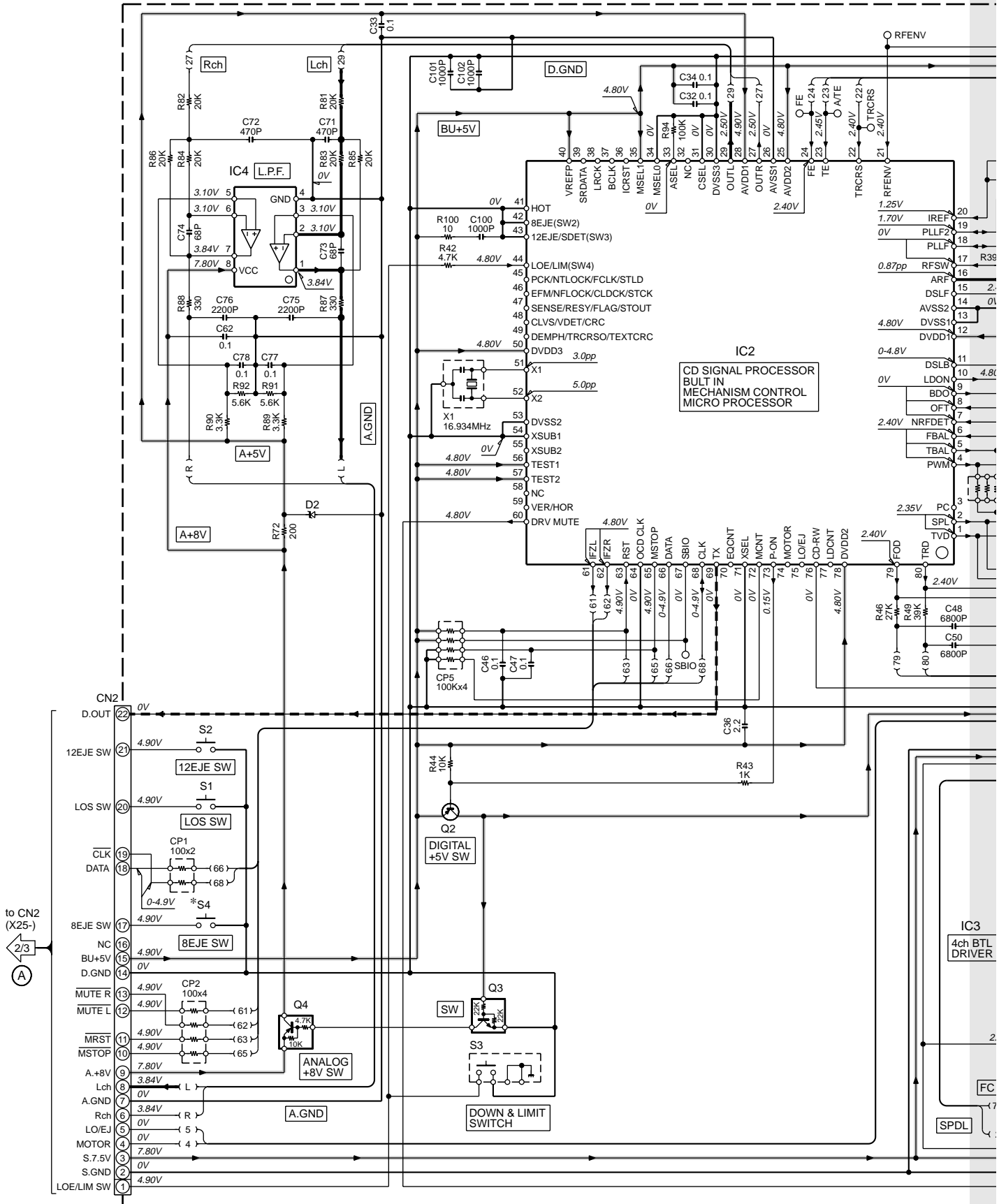


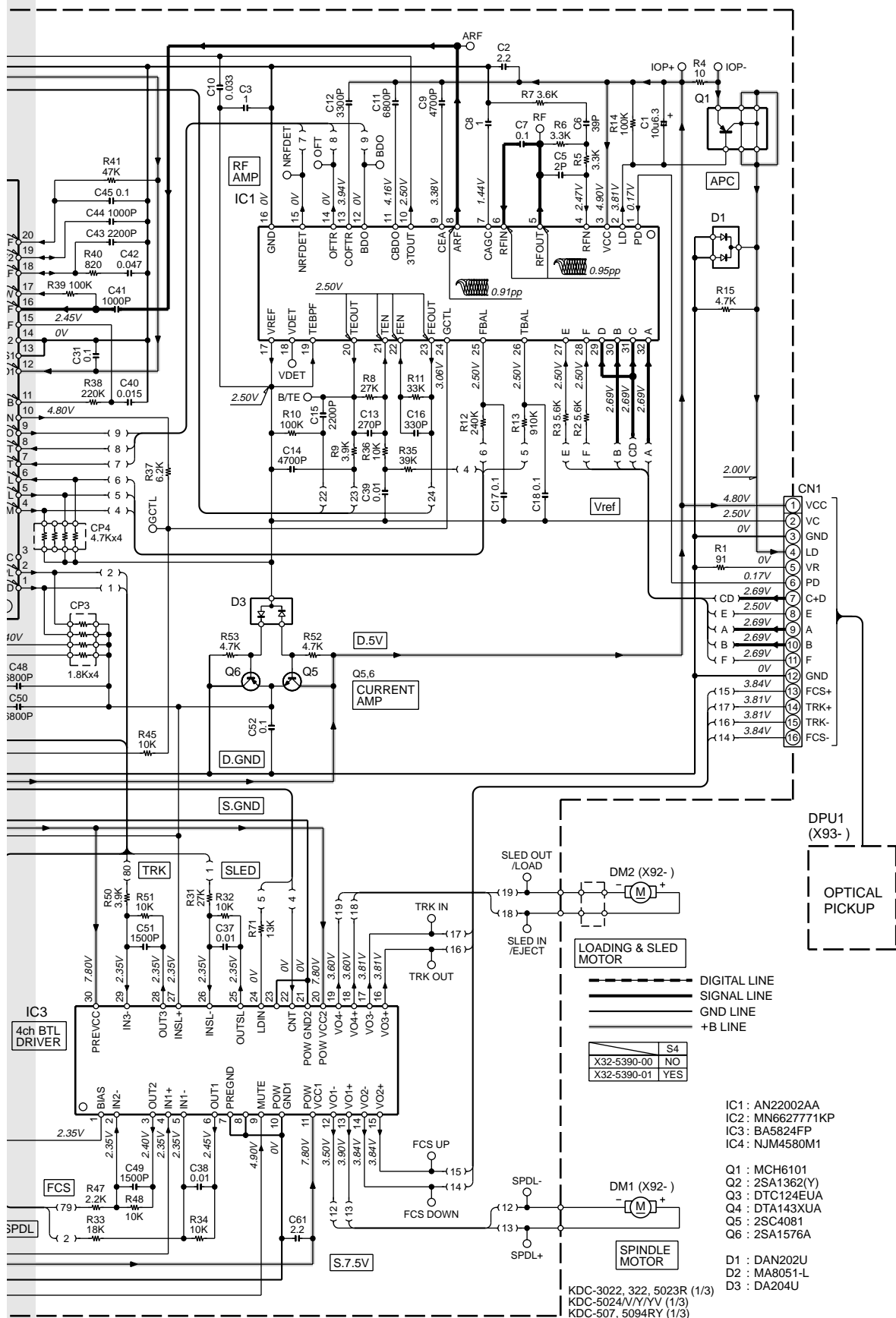
X32-5390-00/01

Ref. No	address	Ref. No	address
IC1	2W	Q4	5X
IC3	6W	Q5	2W
Q1	3V		
Q2	3V		
Q3	3V		

KDC-3022,322,5023/R,5024/V/Y/YV,507,5094RY

CD PLAYER UNIT (X32-5390-00/01)



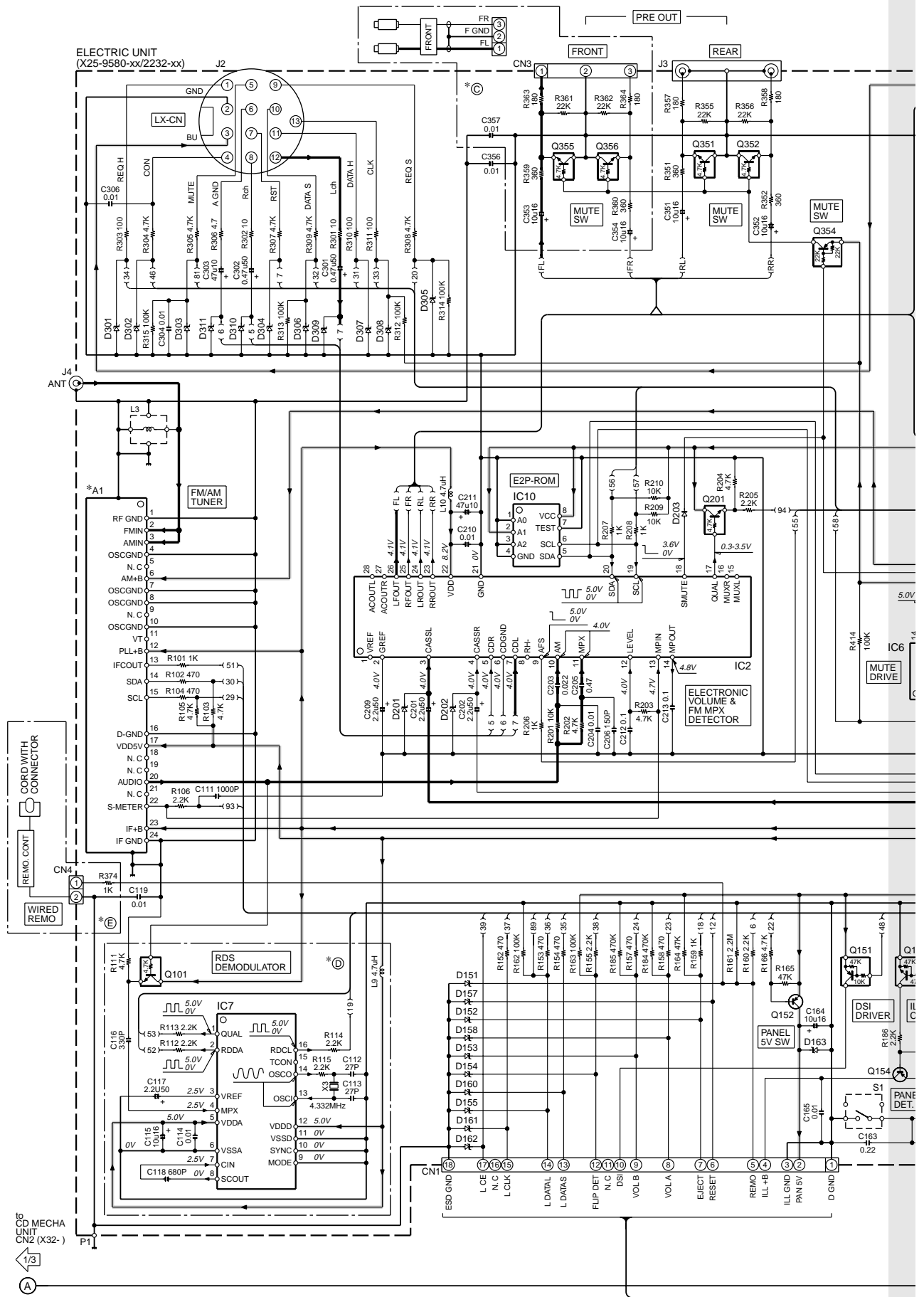


CAUTION : For continued safety, replace safety critical components only with manufacturer's recommended parts (refer to parts list).

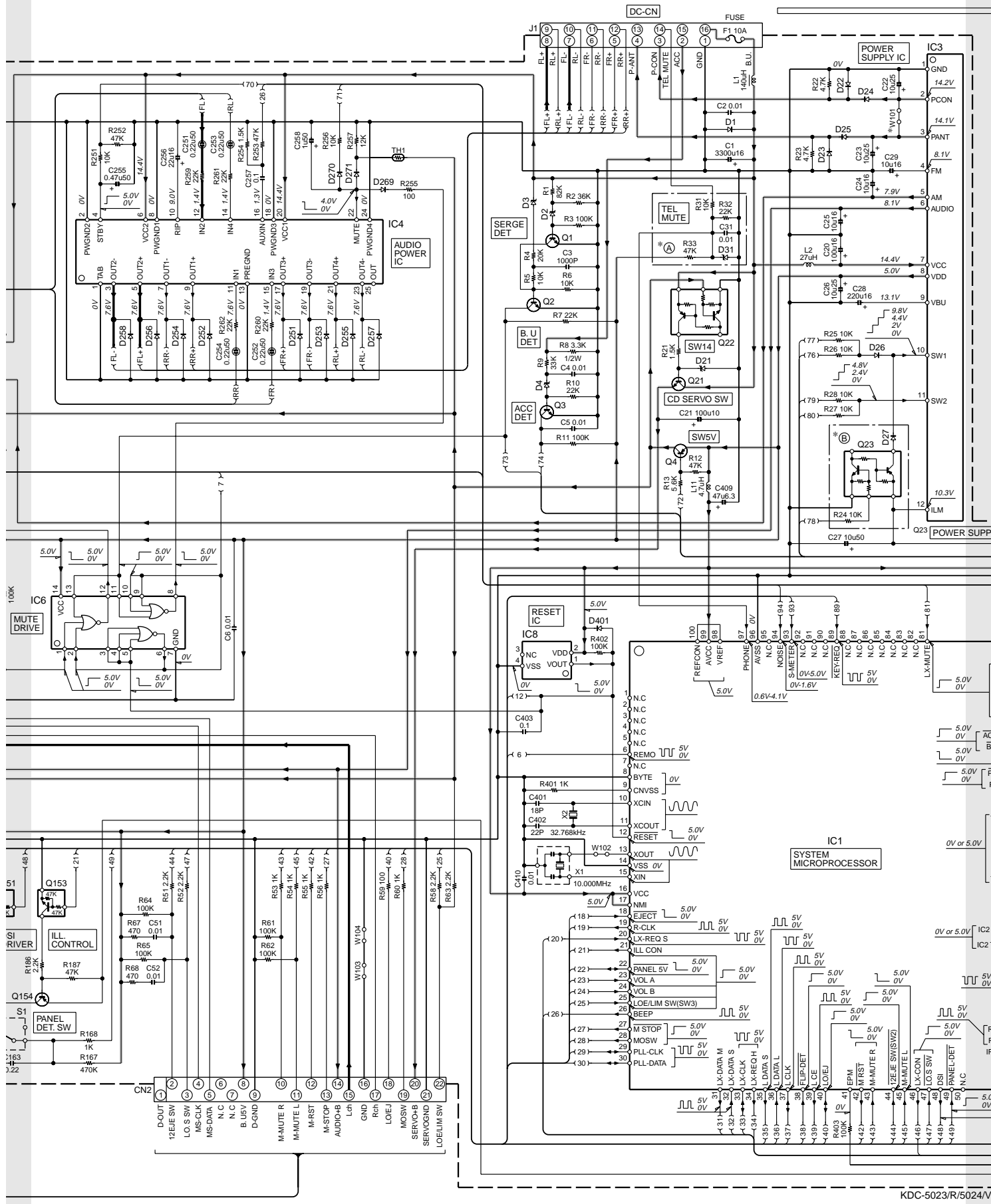
⚠ Indicates safety critical components. To reduce the risk of electric shock, leakage-current or resistance measurements shall be carried out (exposed parts are acceptably insulated from the supply circuit) before the appliance is returned to the customer.

- DC voltages are as measured with a high impedance voltmeter. Values may vary slightly due to variations between individual instruments or/and units.

KDC-3022,322,5023/R,5024/V/Y/YV,507,5094RY



KDC-3022,322,5023/R,5024/V/Y/YV,507,5094RY



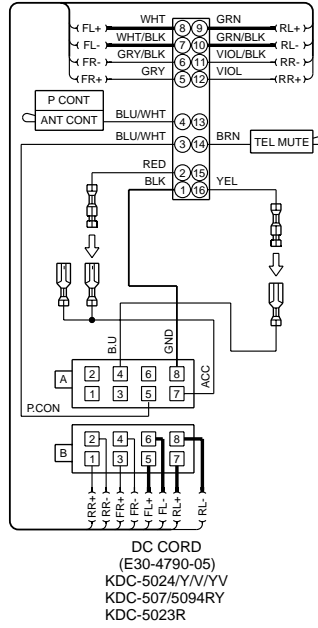
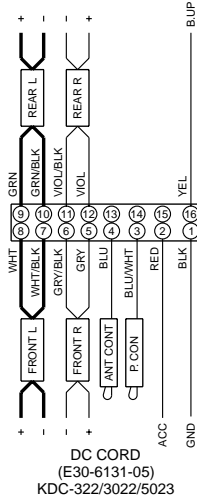
KDC-5023/R/5024/V

KDC-3022,322,5023/R,5024/V/Y/YV,507,5094RY

IC1 : M30302MC-5W3FP
 IC2 : TDA7407D
 IC3 : BA4911-V4
 IC4 : TA8273H
 IC6 : HD74HC27FP
 IC7 : SAA6581T
 IC8 : PST3435UL
 IC10 : BR24C01AF-W

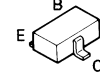
Q1-3 : 2SC4081
 Q4 : 2SA1036K
 Q21 : 2SD2375
 Q22,23 : UMC2N
 Q101,201,351,352,355,356 : DTC143TUA
 Q151 : DTA114YUA
 Q152 : 2SA1576A
 Q153 : DTC144EUA
 Q154 : 2SA1577
 Q354 : DTA124EUA

D1 : 1N5393G-M6
 D2-4,201,202,303-311 : MA4068(N)-M
 D21 : MA4082(N)-L
 D22,23,253,255 : AM01Z
 D24,25 : D1F60
 D26,27,203,269-271,401 : 1SS133
 D31 : HZS5B1
 D151-155,157,158,160-163,301-308 : MA4062-L
 D251,252,254,256-258 : S1J

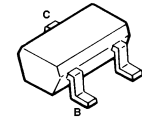


— SIGNAL LINE
 — GND LINE
 — +B LINE

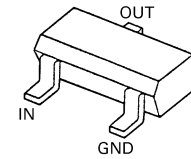
DTC143TUA
 UN5114
 UN5213
 UN5216
 2SA1036K
 2SA1362
 2SA1576A



2SC4081



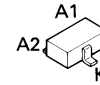
DTA114EUA
 DTA124EUA
 DTC124EUA
 DTC144EUA



(X25-9XXX-XX)

MODEL NAME	UNIT No.	A	D	B	C	E	A1	R408	R409	R410	R411	R412	R413	W101
KDC-5023R (M,E)	X25-9580-21	YES	NO	NO	NO	NO	X86-3722-70	YES	NO	YES	NO	YES	NO	YES
KDC-5024 (E)	X25-9722-70	YES	NO	NO	NO	YES	X86-3722-71	YES	NO	YES	NO	NO	YES	YES
KDC-5024V (E)	X25-9722-70	YES	NO	NO	NO	YES	X86-3722-71	YES	NO	YES	NO	NO	YES	YES
KDC-5024Y (E2)	X25-9582-70	YES	NO	NO	NO	YES	X86-3722-70	YES	NO	YES	NO	NO	YES	YES
KDC-5024YV (E2)	X25-9582-70	YES	NO	NO	NO	YES	X86-3722-70	YES	NO	YES	NO	NO	YES	YES
KDC-3022 (K)	X25-9580-11	NO	YES	YES	NO	NO	X86-3720-11	NO	YES	YES	NO	NO	YES	NO
KDC-5023 (M,K)	X25-9580-22	NO	YES	NO	NO	NO	X86-3720-11	NO	YES	NO	YES	NO	YES	NO
KDC-5094RY (E2)	X25-9582-71	YES	NO	NO	NO	NO	X86-3722-72	NO	YES	YES	NO	NO	YES	YES
KDC-322 (K)	X25-9580-12	NO	YES	NO	NO	NO	X86-3720-11	NO	YES	YES	NO	NO	YES	NO

DAN202U



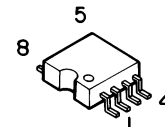
DA204U
 DTA114YUA



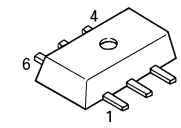
MA142WK
 UN5212



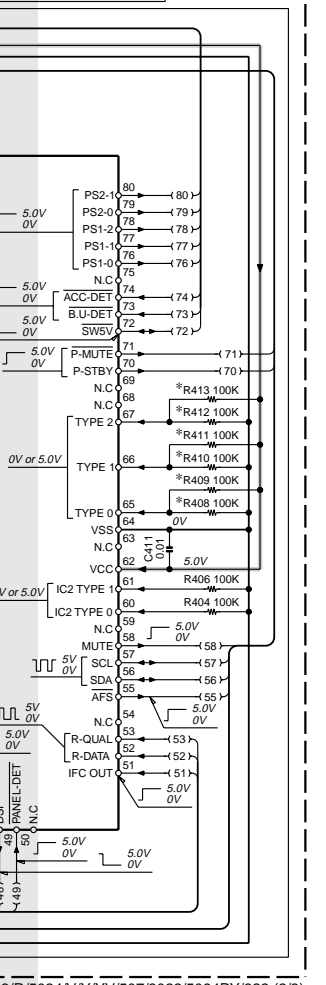
BR24C01AF-W



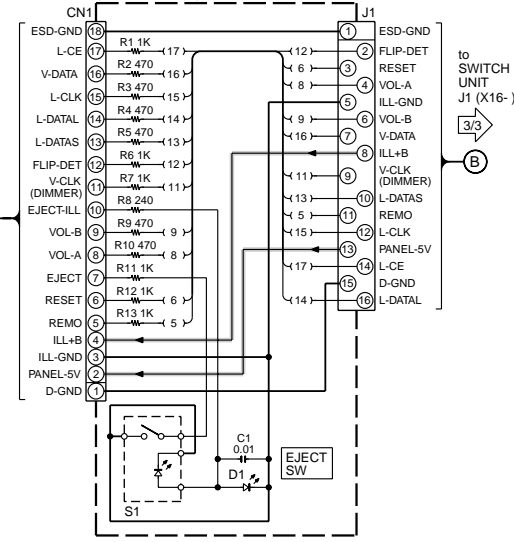
MCH6101



POWER SUPPLY CONTROL



(X89-2XXX-XX)



(X89-2XXX-XX)

MODEL NAME	UNIT No.
KDC-5023R (M,E)	X89-2570-10
KDC-5024Y (E2)	
KDC-5024V (E2)	
KDC-3022 (K)	
KDC-5023 (M,K)	
KDC-5094RY (E2)	
KDC-322 (K)	X89-2602-70
KDC-5024 (E)	
KDC-5024V (E)	
KDC-507 (E)	
KDC-V6524 (E)	

CAUTION: For continued safety, replace safety critical components only with manufacturer's recommended parts (refer to parts list).
 ⚠ Indicates safety critical components. To reduce the risk of electric shock, leakage-current or resistance measurements shall be carried out (exposed parts are acceptably insulated from the supply circuit) before the appliance is returned to the customer.
 • DC voltages are as measured with a high impedance voltmeter. Values may vary slightly due to variations between individual instruments or/and units.

KDC-3022,322,5023/R,5024/V/Y/YV,507,5094RY

1

2

3

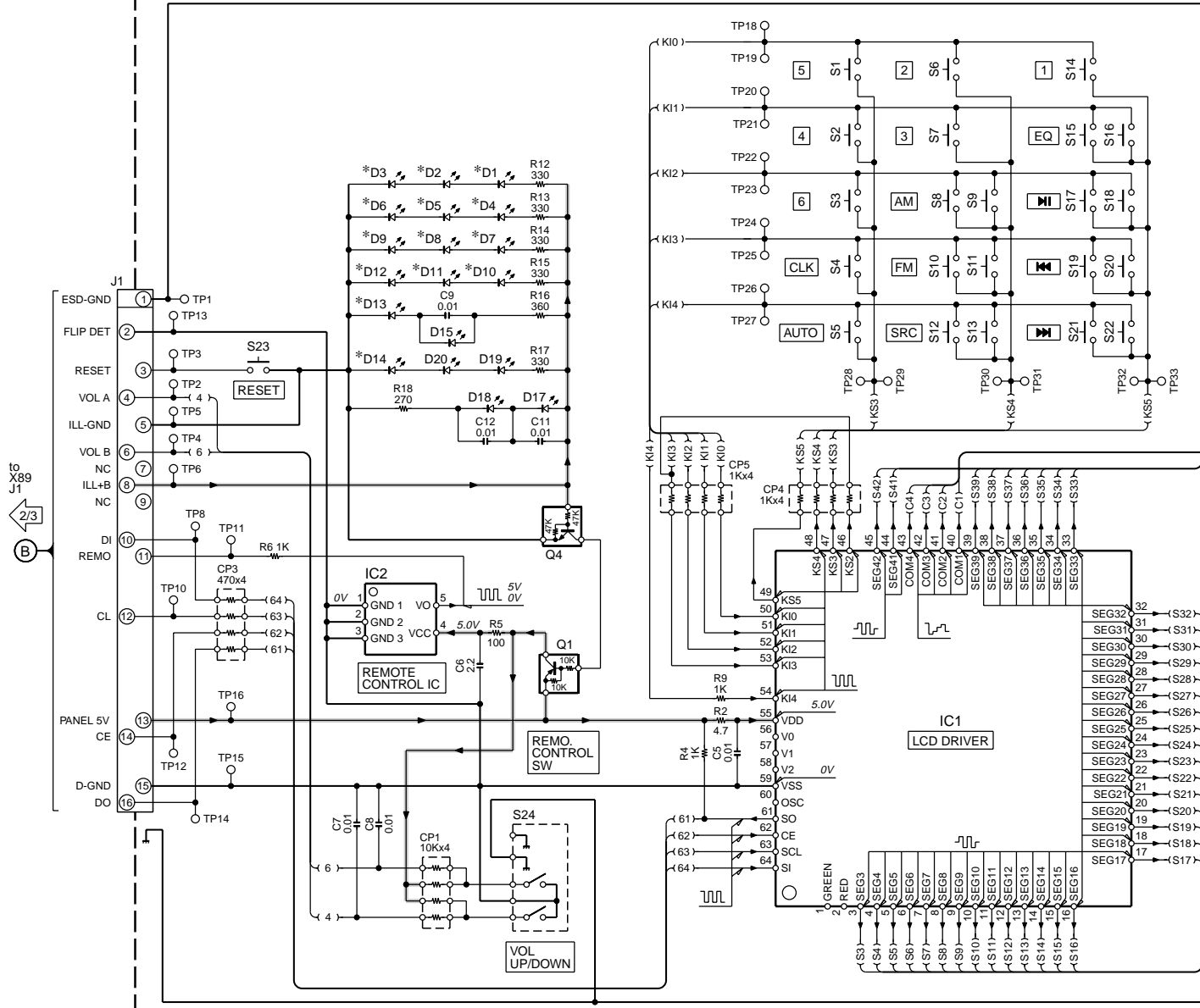
4

5

6

7

SWITCH UNIT (X16-203x-xx)



(X16-203X-XX)

MODEL NAME	UNIT No.	D1-14	ED1
KDC-322	K	2-11	B30-1566-05 B30-1106-05
KDC-3022	K	2-12	B30-1566-05 B30-1108-05
KDC-5023	M(K)	0-21	B30-1565-05 B30-1106-05

IC1 : NJU6535
 IC2 : PNA4S22M
 Q1 : DTA114EUA
 Q4 : DTC144EUA

D1-14 : *
 D15 : B30-1564-05
 D17,18 : B30-1571-05
 D19,20 : B30-1566-05

— GND LINE
 — +B LINE

KDC-3022,322,5023/R,5024/V/Y/YV,507,5094RY

1

2

3

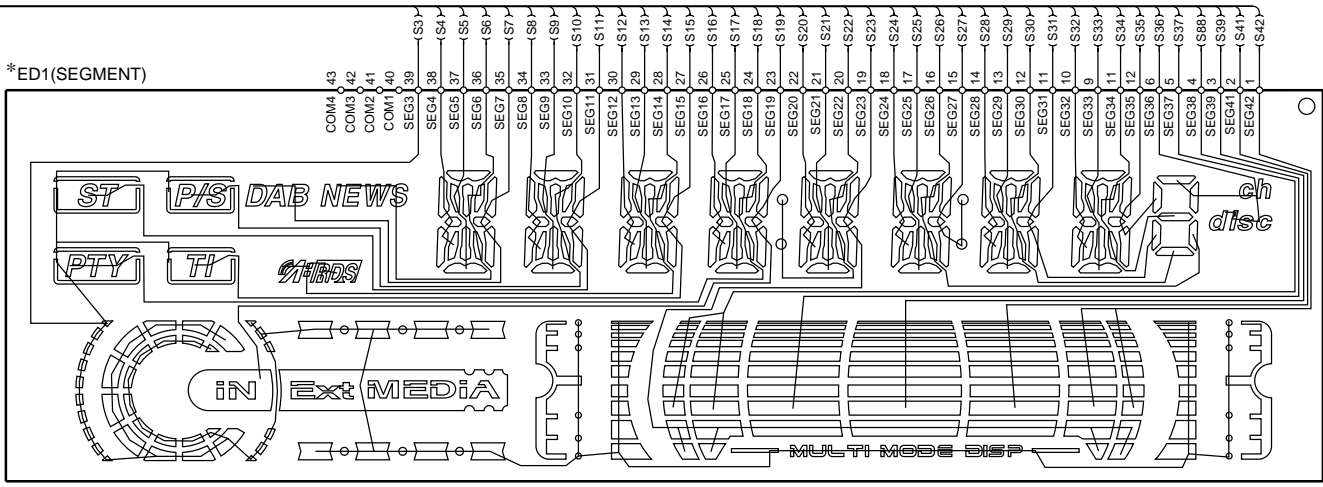
4

5

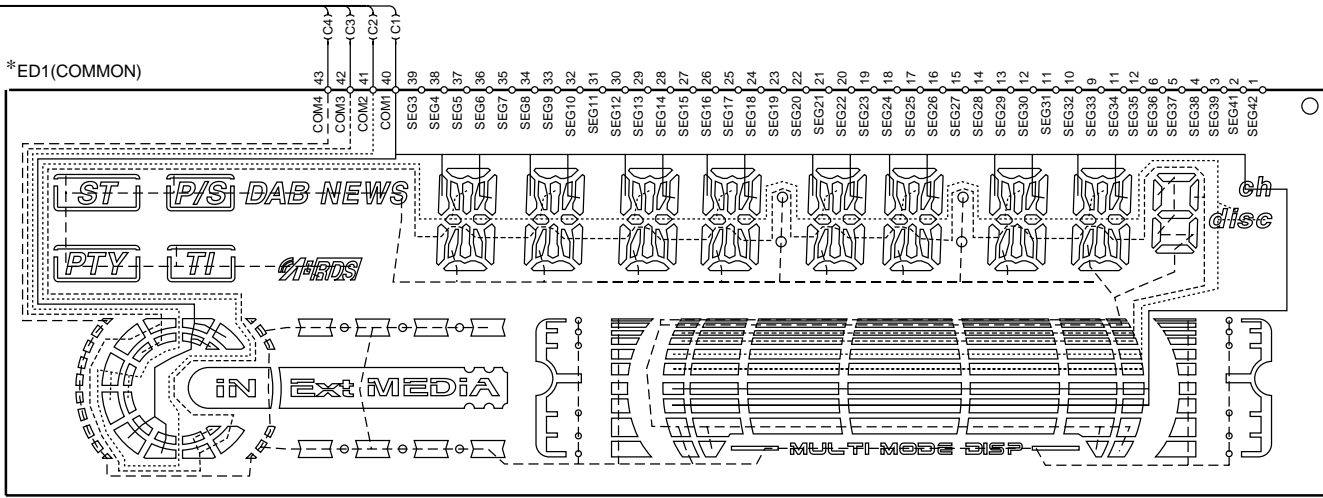
6

7

*ED1(SEGMENT)



*ED1(COMMON)



KDC-322/3022/5023 (3/3)

CAUTION : For continued safety, replace safety critical components only with manufacturer's recommended parts (refer to parts list).

△ Indicates safety critical components. To reduce the risk of electric shock, leakage-current or resistance measurements shall be carried out (exposed parts are acceptably insulated from the supply circuit) before the appliance is returned to the customer.

- DC voltages are as measured with a high impedance voltmeter. Values may vary slightly due to variations between individual instruments or/and units.

KDC-3022,322,5023/R,5024/V/Y/YV,507,5094RY

1

2

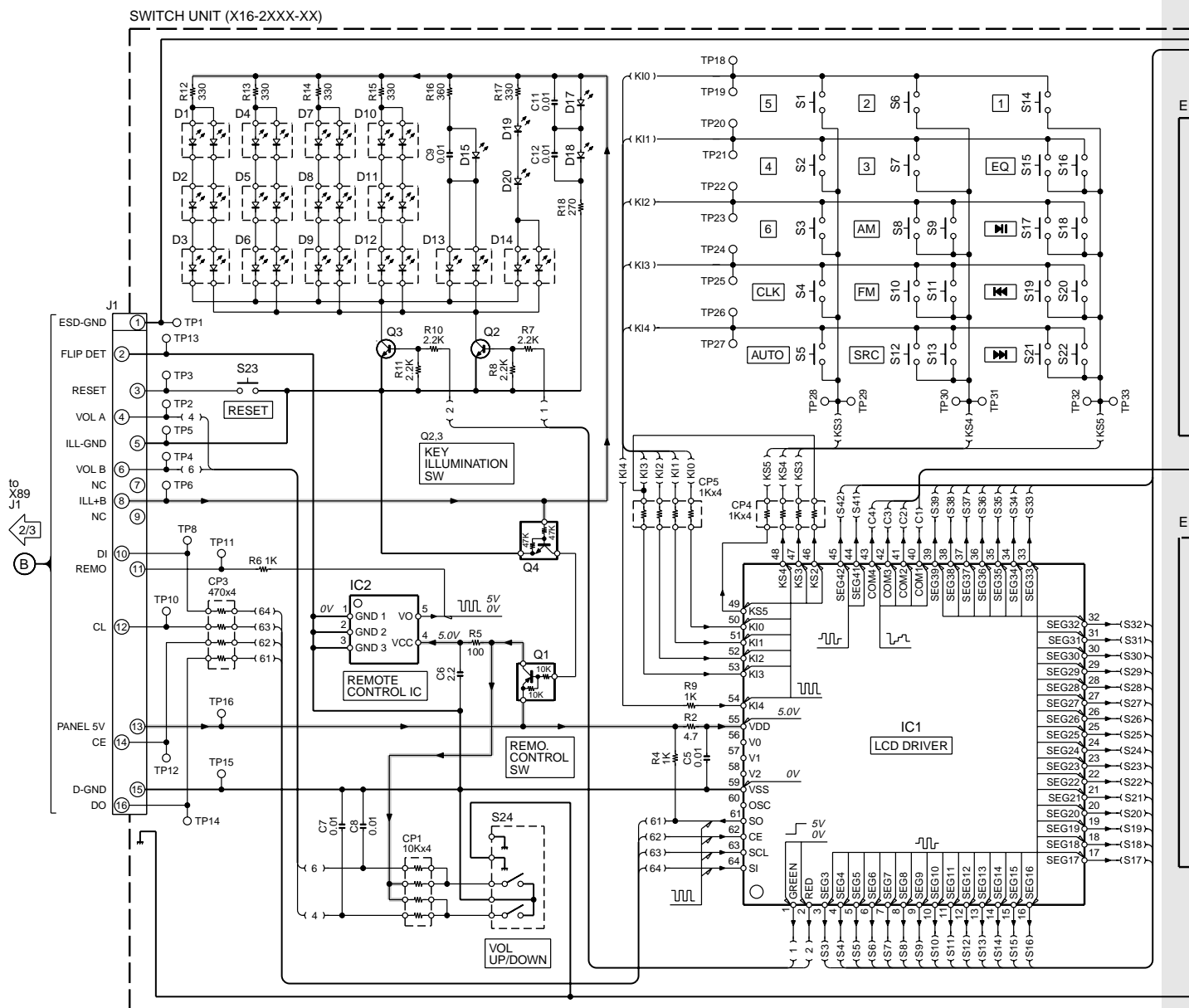
3

4

5

6

7



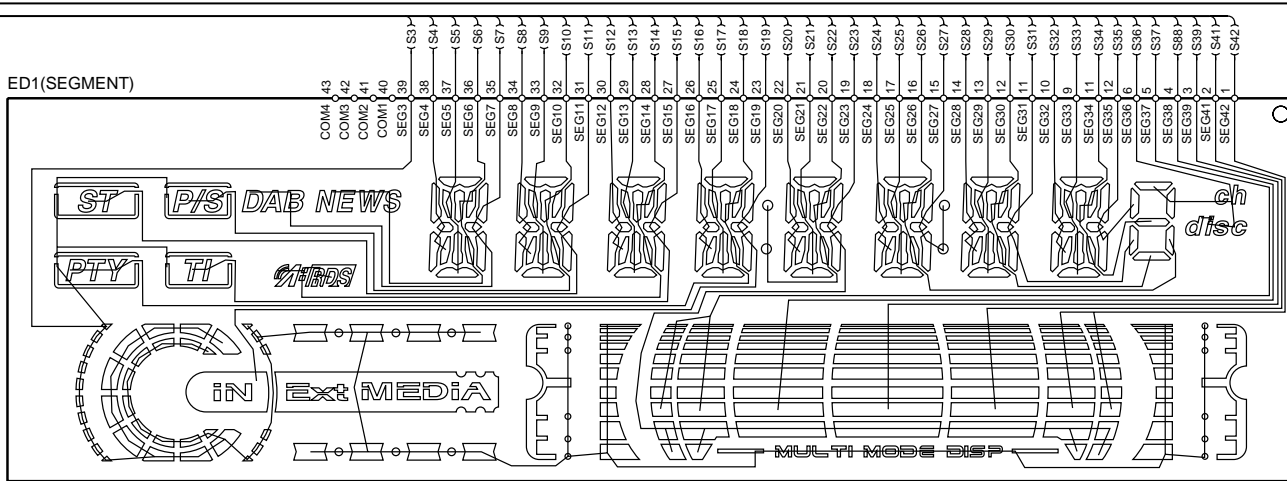
MODEL NAME	UNIT No.
KDC-5023R	M X16-2032-70
KDC-5024Y	E2 X16-2032-71
KDC-5024V	E X16-2232-70
KDC-5094RY	E X16-2232-71
KDC-5024	E X16-2232-70
KDC-507	E X16-2232-70
KDC-5024V	E X16-2232-71

IC1	: NJU6535	D1-14	: B30-1605-05
IC2	: PNA4S22M	D15	: B30-1564-05
Q1	: DTA114EUA	D17,18	: B30-1571-05
Q2,3	: 2SC4081	D19,20	: B30-1566-05
Q4	: DTC144EUA		

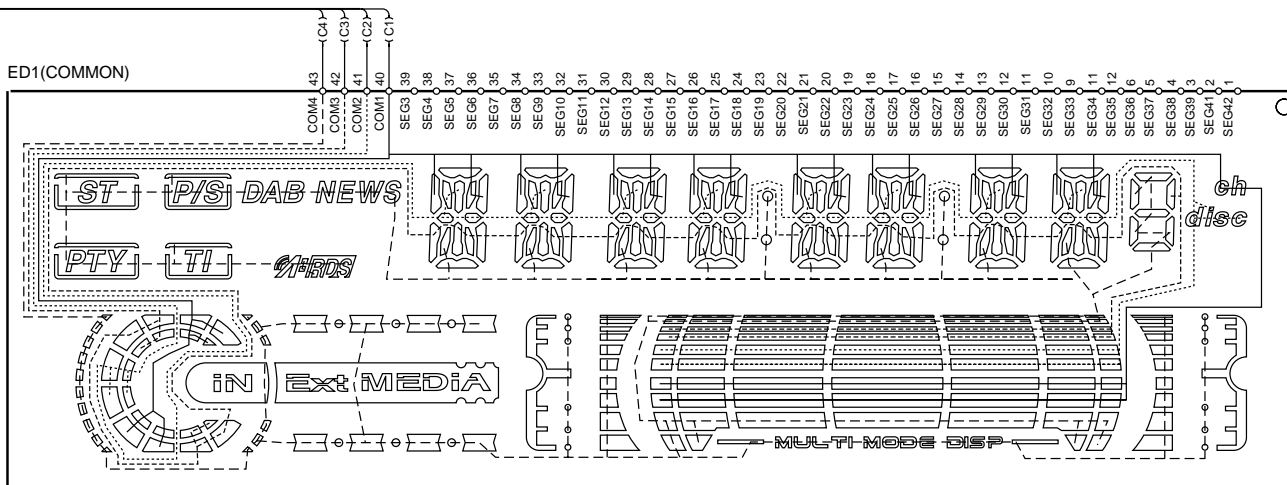
— GND LINE
 — +B LINE

KDC-3022,322,5023/R,5024/V/Y/YV,507,5094RY

ED1(SEGMENT)



ED1(COMMON)



KDC-5023R (3/3)
 KDC-5024/Y/V/YV (3/3)
 KDC-5094RY (3/3)
 KDC-507 (3/3)

CAUTION : For continued safety, replace safety critical components only with manufacturer's recommended parts (refer to parts list).

⚠ Indicates safety critical components. To reduce the risk of electric shock, leakage-current or resistance measurements shall be carried out (exposed parts are acceptably insulated from the supply circuit) before the appliance is returned to the customer.

- DC voltages are as measured with a high impedance voltmeter. Values may vary slightly due to variations between individual instruments or/and units.

1

2

3

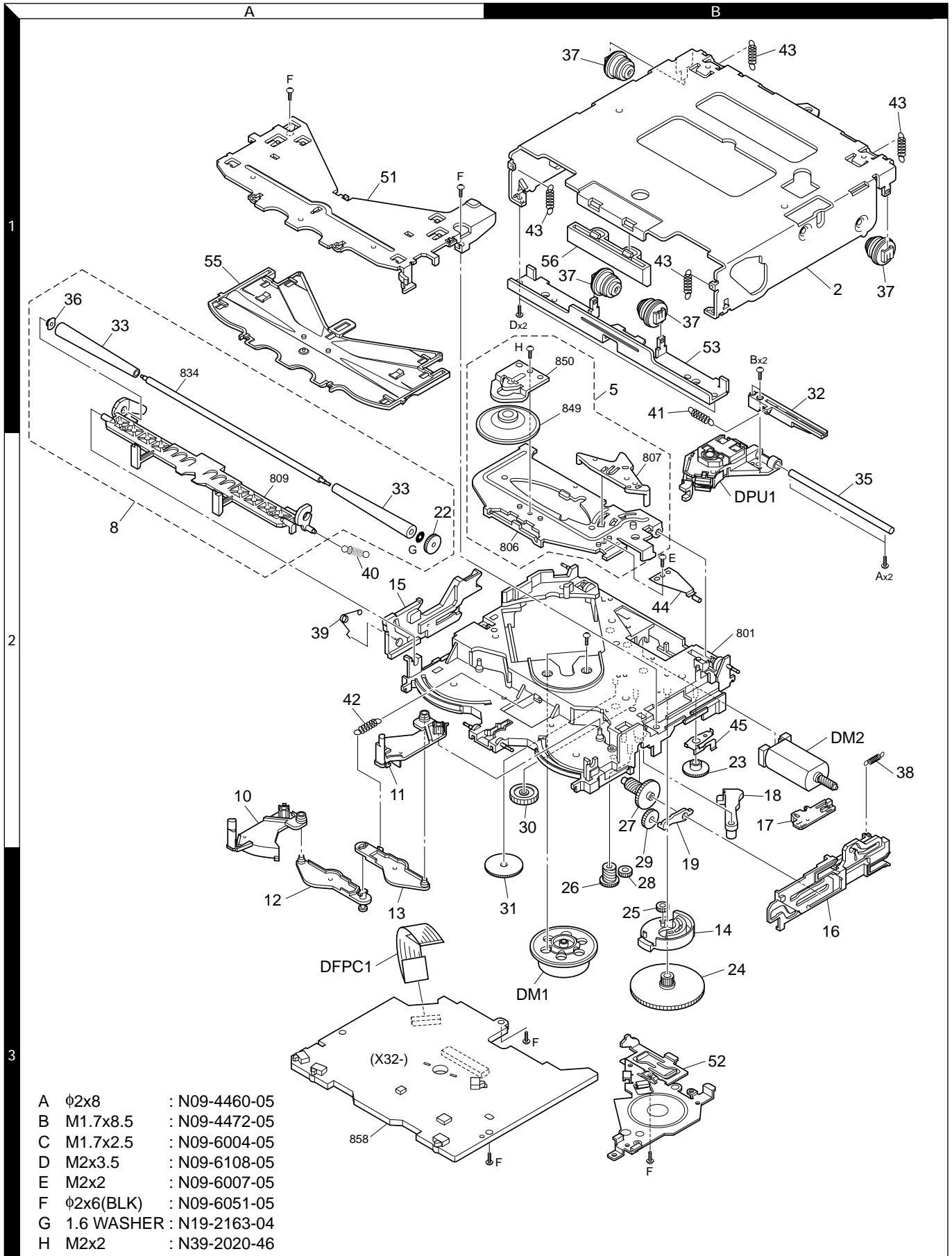
4

5

6

7

EXPLODED VIEW (MECHANISM)



Parts with the exploded numbers larger than 700 are not supplied.

PARTS LIST

* New Parts

Parts without **Parts No.** are not supplied.

Les articles non mentionnes dans le **Parts No.** ne sont pas fournis.

Teile ohne **Parts No.** werden nicht geliefert.

Ref. No.	Add	New	Parts No.	Description	Dest ination	Ref. No.	Add	New	Parts No.	Description	Dest ination
KDC-3022/322/5023/R/5024/V/Y/YV/507/5094RY											
203	3D	*	A22-2982-02	SUB PANEL ASSY		256	1D	*	E30-6229-05	CORD WITH PINPLUG	K5
205	2C	*	A46-1778-01	REAR COVER		257	1D	*	E30-6224-15	CORD WITH CONNECTOR	EE1E3
206	1D	*	A52-0829-02	TOP PLATE		257	1D	*	E30-6224-15	CORD WITH CONNECTOR	E4E5
263	1C	*	A02-1486-13	PLASTIC CABINET ASSY		DC1	1C	*	E30-4784-05	DC CORD	K5K6M3
PA1	3C	*	A64-2824-02	PANEL ASSY	K5	DC1	1C	*	E30-6131-05	DC CORD	K5K6M3
PA1	3C	*	A64-2825-02	PANEL ASSY	K6	△ DC2	1C	*	E30-4790-05	DC CORD	E2E3E4
PA1	3C	*	A64-2833-02	PANEL ASSY	M2	△ DC2	1C	*	E30-4790-05	DC CORD	E5
PA1	3C	*	A64-2834-02	PANEL ASSY	M3	△ DC2	1C	*	E30-4790-05	DC CORD	M2EE1
PA1	3C	*	A64-2838-02	PANEL ASSY	EE3	△ DC2	1C	*	E30-6134-05	DC CORD	E2
PA1	3C	*	A64-2839-02	PANEL ASSY	E2	△ DC2	1C	*	E30-6134-05	DC CORD	M2EE1
PA1	3C	*	A64-2842-02	PANEL ASSY	E5	FC1	2C	*	E39-0476-05	FLAT CABLE (22PIN)	
PA1	3C	*	A64-2851-02	PANEL ASSY	E1E4	258	1D	*	F29-0626-04	INSULATING COVER	K5
RC1	1C	*	A70-2025-05	REMOTE CONTROLLER ASSY (RC-410)	M2M3	F1	2D	*	F52-0006-05	FUSE(MINI BLADE TYPE : 10A)	
RC2	1C	*	A70-2040-05	REMOTE CONTROLLER ASSY (RC-502)	K5K6	226	3C	*	G01-3129-04	COMPRESSION SPRING	
-			B46-0100-50	WARRANTY CARD	E5	227	3D	*	G01-3171-04	TORSION COIL SPRING	
-			B46-0100-50	WARRANTY CARD	K5K6M2	228	3D	*	G01-3172-04	TORSION COIL SPRING	
-			B46-0100-50	WARRANTY CARD	M3E3E4	229	2C	*	G01-3173-04	COMPRESSION SPRING	M3EE1
-			B46-0606-04	ID CARD	K5K6	229	2C	*	G01-3173-04	COMPRESSION SPRING	E2
-			B46-0612-14	ID CARD	E1E2E3	229	2C	*	G01-3173-04	COMPRESSION SPRING	K5K6M2
-			B46-0612-14	ID CARD	E4E5	229	2C	*	G01-3203-04	COMPRESSION SPRING	E3E4E5
-			B46-0612-14	ID CARD	M2M3E	230	3D	*	G13-1267-04	CUSHION	
-			B46-0653-03	USER CARD	K5K6	231	3D	*	G13-1268-04	CUSHION	
-		*	B64-2516-00	INST.MANUAL (ENG,FRE,SPA)	K5K6	-			H10-4856-12	POLYSTYRENE FOAMED FIXTURE	E2
-		*	B64-2517-00	INST.MANUAL (ENG,T-CHI)	M2M3	-			H10-4856-12	POLYSTYRENE FOAMED FIXTURE	K5K6M2
-		*	B64-2518-00	INST.MANUAL (ARABIC)	M2M3	-		*	H10-4856-12	POLYSTYRENE FOAMED FIXTURE	M3EE1
-		*	B64-2519-00	INST.MANUAL (ENGLISH)	E3E4E5	-		*	H10-4857-12	POLYSTYRENE FOAMED FIXTURE	K5K6M2
-		*	B64-2520-00	INST.MANUAL (FRE,GER,DUT)	E3E4E5	-		*	H25-0329-04	PROTECTION BAG (280X450X0.03)	E2
-		*	B64-2521-00	INST.MANUAL (ITA,SPA,POR)	E3E4E5	-			H25-0329-04	PROTECTION BAG (280X450X0.03)	K5K6M2
-		*	B64-2522-00	INST.MANUAL (ENG,RUS)	EE1E2	-			H25-0329-04	PROTECTION BAG (280X450X0.03)	M3EE1
-		*	B64-2523-00	INST.MANUAL (POLCZE,HUN)	EE1E2	-			H25-0337-04	PROTECTION BAG (180X300X0.03)	
-		*	B64-2524-00	INST.MANUAL (CRO,SWE,FIN)	EE1E2	-		*	H25-1111-04	PROTECTION BAG (280X450X0.03)	E3E4E5
209	3C	*	B09-0530-03	CAP		-		*	H54-2779-03	ITEM CARTON CASE	K5
210	3C	*	B10-4304-01	FRONT GLASS	K5	-		*	H54-2780-03	ITEM CARTON CASE	K6
210	3C	*	B10-4305-01	FRONT GLASS	K6	-		*	H54-2786-03	ITEM CARTON CASE	M2
210	3C	*	B10-4310-01	FRONT GLASS	M2	-		*	H54-2787-03	ITEM CARTON CASE	M3
210	3C	*	B10-4311-01	FRONT GLASS	M3	-		*	H54-2791-03	ITEM CARTON CASE	E
210	3C	*	B10-4314-01	FRONT GLASS	EE3	-		*	H54-2792-03	ITEM CARTON CASE	E1
210	3C	*	B10-4315-01	FRONT GLASS	E2	-		*	H54-2793-03	ITEM CARTON CASE	E2
210	3C	*	B10-4317-01	FRONT GLASS	E5	-		*	H54-2797-03	ITEM CARTON CASE	E3
210	3C	*	B10-4324-01	FRONT GLASS	E1E4	-		*	H54-2798-03	ITEM CARTON CASE	E4
211	3C	*	B19-2200-04	LIGHTING BOARD		-		*	H54-2799-03	ITEM CARTON CASE	E5
214	3C	*	B43-1284-04	BADGE		232	3D	*	J19-5203-03	HOLDER	
260	1C	*	B07-3022-02	ESCUTCHEON	K5K6M2	233	3D	*	J19-5204-03	HOLDER	
260	1C	*	B07-3022-02	ESCUTCHEON	M3	234	2C	*	J19-5205-03	HOLDER	
260	1C	*	B07-3083-02	ESCUTCHEON	EE1E2	235	3C	*	J19-5206-02	HOLDER	
260	1C	*	B07-3083-02	ESCUTCHEON	E3E4	266	1C	*	J21-9716-03	MOUNTING HARDWARE ASSY	
260	1C	*	B07-3089-02	ESCUTCHEON	E5	239	3C	*	K23-1072-13	KNOB (VOL)	
215	3D	*	D10-4730-03	LEVER		240	3C	*	K24-4000-03	KNOB (EJECT)	
216	3D	*	D10-4731-03	LEVER		241	3C	*	K24-4002-04	KNOB (DOOR)	
217	1C	*	D39-0255-05	DAMPER		242	3C	*	K25-1521-03	KNOB (1-6)	
262	1C	*	D10-4589-04	LEVER		243	3C	*	K25-1522-04	KNOB (DISP)	
219	3C	*	E29-1927-02	CONDUCTIVE RUBBER		244	3C	*	K25-1523-03	KNOB (PLAY.STOP)	
						245	3C	*	K25-1524-03	KNOB (FM/AM)	

K5: KDC-3022 **K6:** KDC-322 **M2:** KDC-5023R **M3:** KDC-5023
E : KDC-5024Y **E1:** KDC-5024YV **E2:** KDC-5094RY **E3:** KDC-5024
E4: KDC-5024V **E5:** KDC-507

△ indicates safety critical components.

PARTS LIST

* New Parts

Parts without **Parts No.** are not supplied.

Les articles non mentionnes dans le **Parts No.** ne sont pas fournis.

Teile ohne **Parts No.** werden nicht geliefert.

Ref. No.	A d d	N e w	Parts No.	Description	Dest inati on
246	3C	*	K25-1525-03	KNOB (SRC/SKIP)	
264	1C		N99-1719-05	SCREW SET	K5K6M2
264	1C		N99-1719-05	SCREW SET	M3
265	1C	*	N99-1730-15	SCREW SET	
A	3D		N30-3008-46	PAN HEAD MACHINE SCREW	
B	3C		N80-2006-46	PAN HEAD TAPTITE SCREW	
C	2C		N80-2008-45	PAN HEAD TAPTITE SCREW	
F	2D		N83-3005-46	PAN HEAD TAPTITE SCREW	
H	3D		N84-2005-45	PAN HEAD TAPTITE SCREW	
J	3D		N84-2606-45	PAN HEAD TAPTITE SCREW	
261	1C		T90-0523-05	ANTENNA ADAPTOR	E2E3E4
261	1C		T90-0523-05	ANTENNA ADAPTOR	E5
261	1C		T90-0523-05	ANTENNA ADAPTOR	M2EE1
-		*	X16-2030-11	SWITCH UNIT	K6
-		*	X16-2030-12	SWITCH UNIT	K5
-		*	X16-2030-21	SWITCH UNIT	M3
-		*	X16-2032-70	SWITCH UNIT	M2EE2
-		*	X16-2032-71	SWITCH UNIT	E1
-		*	X16-2232-70	SWITCH UNIT	E3E5
-		*	X16-2232-71	SWITCH UNIT	E4
-		*	X25-9580-11	ELECTRIC UNIT	K5
-		*	X25-9580-12	ELECTRIC UNIT	K6
-		*	X25-9580-21	ELECTRIC UNIT	M2
-		*	X25-9580-22	ELECTRIC UNIT	M3
-		*	X25-9582-70	ELECTRIC UNIT	EE1
-		*	X25-9582-71	ELECTRIC UNIT	E2
-		*	X25-9722-70	ELECTRIC UNIT	E3E4E5
-		*	X89-2570-10	DAUGHTER UNIT	E2
-		*	X89-2570-10	DAUGHTER UNIT	K5K6M2
-		*	X89-2570-10	DAUGHTER UNIT	M3EE1
-		*	X89-2602-70	DAUGHTER UNIT	E3E4E5
DME1	1D		X92-4650-00	MECHANISM ASSY (DXM-6050W)	E2
DME1	1D		X92-4650-00	MECHANISM ASSY (DXM-6050W)	K5K6M2
DME1	1D		X92-4650-00	MECHANISM ASSY (DXM-6050W)	M3EE1
DME1	1D		X92-4650-01	MECHANISM ASSY (DXM-6051W)	E3E4E5
SWICH UNIT (X16-203x-xx/2032-xx)					
249	3C	*	B11-1396-04	OPTICAL DIFFUSER	EE2E3
250	2C	*	B11-1397-04	REFLECTION SHEET	E5
250	2C	*	B11-1397-04	REFLECTION SHEET	K6M2M3
250	2C	*	B11-1397-04	REFLECTION SHEET	K5E1E4
250	2C	*	B11-1398-04	REFLECTION SHEET	
251	2C	*	B11-1399-04	COLOR FILTER	E1E4
252	2C	*	B19-2199-03	LIGHTING BOARD	
D1 -14			B30-1565-05	LED(1608,PG)	M3
D1 -14			B30-1566-05	LED(1608,RED)	K5K6
D1 -14			B30-1605-05	LED(2COLOR PG/RED)	E2E3E4
D1 -14			B30-1605-05	LED(2COLOR PG/RED)	E5
D1 -14			B30-1605-05	LED(2COLOR PG/RED)	M2EE1
D15			B30-1564-05	LED(1608,BLUE)	
D17 ,18			B30-1571-05	LED(WHITE)	
D19 ,20			B30-1566-05	LED(1608,RED)	
ED1			B38-1106-05	LIQUID CRYSTAL	EE2E3
ED1			B38-1106-05	LIQUID CRYSTAL	E5

Ref. No.	A d d	N e w	Parts No.	Description	Dest inati on
ED1			B38-1106-05	LIQUID CRYSTAL	K6M2M3
ED1			B38-1107-05	LIQUID CRYSTAL	E1E4
ED1			B38-1108-05	LIQUID CRYSTAL	K5
C5			CK73GB1H103K	CHIP C 0.010UF K	
C6			CK73FB1A225K	CHIP C 2.2UF K	
C7 -9			CK73GB1H103K	CHIP C 0.010UF K	
C11 ,12			CK73GB1H103K	CHIP C 0.010UF K	
253	3C		E29-1925-04	CONDUCTIVE RUBBER	
J1			E59-0829-05	RECTANGULAR PLUG	
254	3C	*	F09-1823-04	SHEET	
CP1			R90-0714-05	MULTI-COMP 10K X4	
CP3			R90-1016-05	MULTI-COMP 470 X4	
CP4 ,5			R90-0724-05	MULTI-COMP 1K X4	
R2			RK73GB2A4R7J	CHIP R 4.7 J 1/10W	
R4			RK73GB2A102J	CHIP R 1.0K J 1/10W	
R5			RK73GB2A101J	CHIP R 100 J 1/10W	
R6			RK73GB2A102J	CHIP R 1.0K J 1/10W	
R7 ,8			RK73GB2A222J	CHIP R 2.2K J 1/10W	E2E3E4
R7 ,8			RK73GB2A222J	CHIP R 2.2K J 1/10W	E5
R7 ,8			RK73GB2A222J	CHIP R 2.2K J 1/10W	M2EE1
R9			RK73GB2A102J	CHIP R 1.0K J 1/10W	
R10 ,11			RK73GB2A222J	CHIP R 2.2K J 1/10W	E2E3E4
R10 ,11			RK73GB2A222J	CHIP R 2.2K J 1/10W	E5
R10 ,11			RK73GB2A222J	CHIP R 2.2K J 1/10W	M2EE1
R12 -15			RK73FB2B331J	CHIP R 330 J 1/8W	
R16			RK73FB2B361J	CHIP R 360 J 1/8W	
R17			RK73FB2B331J	CHIP R 330 J 1/8W	
R18			RK73FB2B271J	CHIP R 270 J 1/8W	
S24			T99-0446-05	ROTARY ENCODER	
IC1			NJU6535	MOS-IC	
IC2			PNA4S22M	ANALOGUE IC	
Q1			DTA114EUA	DIGITAL TRANSISTOR	
Q2 ,3			2SC4081	TRANSISTOR	E2E3E4
Q2 ,3			2SC4081	TRANSISTOR	E5
Q2 ,3			2SC4081	TRANSISTOR	M2EE1
Q4			DTC144EUA	DIGITAL TRANSISTOR	
ELECTRIC UNIT (X25-9580-xx/2232-xx)					
C1			C90-5242-05	ELECTRO 3300UF 16WV	
C2			CK73GB1H103K	CHIP C 0.010UF K	
C3			CK73GB1H102K	CHIP C 1000PF K	
C4 -6			CK73GB1H103K	CHIP C 0.010UF K	
C20			C90-2962-05	ELECTRO 100UF 16WV	
C21			CE04NW1A101M	ELECTRO 100UF 10WV	
C22			CE04NW1E100M	ELECTRO 10UF 25WV	E2E3E4
C22			CE04NW1E100M	ELECTRO 10UF 25WV	E5
C22			CE04NW1E100M	ELECTRO 10UF 25WV	M2EE1
C22 ,23			CE04NW1E100M	ELECTRO 10UF 25WV	K5K6M3
C24 ,25			CE04NW1C100M	ELECTRO 10UF 16WV	
C26			CE04NW1E100M	ELECTRO 10UF 25WV	
C27			CE04CW1H100M	ELECTRO 10UF 50WV	
C28			C90-2980-05	ELECTRO 220UF 16WV	
C29			CE04NW1C100M	ELECTRO 10UF 16WV	

PARTS LIST

* New Parts

Parts without **Parts No.** are not supplied.Les articles non mentionnés dans le **Parts No.** ne sont pas fournis.Teile ohne **Parts No.** werden nicht geliefert.

ELECTRIC UNIT (X25-9580-xx/2232-xx)

Ref. No.	Added	New	Parts No.	Description	Destination	Ref. No.	Added	New	Parts No.	Description	Destination
C31			CK73GB1H103K	CHIP C 0.010UF K	E2E3E4	C403			CK73GB1C104K	CHIP C 0.10UF K	
C31			CK73GB1H103K	CHIP C 0.010UF K	E5	C409			CE04NW0J470M	ELECTRO 47UF 6.3WV	
C31			CK73GB1H103K	CHIP C 0.010UF K	M2EE1	C410,411			CK73GB1H103K	CHIP C 0.010UF K	
C51,52			CK73GB1H103K	CHIP C 0.010UF K		CN1			E41-0167-05	PIN ASSY	
C111			CK73GB1H102K	CHIP C 1000PF K		CN2			E40-9550-05	FLAT CABLE CONNECTOR	
C112,113			CC73GCH1H270J	CHIP C 27PF J	E2E3E4	CN3			E40-3238-05	PIN ASSY	K5
C112,113			CC73GCH1H270J	CHIP C 27PF J	E5	CN4			E40-3260-05	PIN ASSY	EE1E3
C112,113			CC73GCH1H270J	CHIP C 27PF J	M2EE1	CN4			E40-3260-05	PIN ASSY	E4E5
C114			CK73GB1H103K	CHIP C 0.010UF K	E2E3E4						
C114			CK73GB1H103K	CHIP C 0.010UF K	E5	J1			E58-0863-15	RECTANGULAR RECEPTACLE	
C114			CK73GB1H103K	CHIP C 0.010UF K	M2EE1	J2			E56-0834-05	CYLINDRICAL RECEPTACLE	
C115			CE04NW1C100M	ELECTRO 10UF 16WV	E2E3E4	J3			E63-0887-05	PIN JACK	
C115			CE04NW1C100M	ELECTRO 10UF 16WV	E5	J4			E04-0312-05	RF COAXIAL CABLE RECEPTACLE	
C115			CE04NW1C100M	ELECTRO 10UF 16WV	M2EE1	P1			E23-0745-05	TERMINAL	
C116			CC73GCH1H331J	CHIP C 330PF J	E2E3E4	W2			E31-0001-00	JUMPER WIRE	
C116			CC73GCH1H331J	CHIP C 330PF J	E5	W4 -10			E31-0001-00	JUMPER WIRE	
C116			CC73GCH1H331J	CHIP C 330PF J	M2EE1	W12 -17			E31-0001-00	JUMPER WIRE	E2E3E4
C117			CE04NW1H2R2M	ELECTRO 2.2UF 50WV	E2E3E4	W12 -17			E31-0001-00	JUMPER WIRE	E5
C117			CE04NW1H2R2M	ELECTRO 2.2UF 50WV	E5	W12 -17			E31-0001-00	JUMPER WIRE	M2EE1
C117			CE04NW1H2R2M	ELECTRO 2.2UF 50WV	M2EE1	W13 -17			E31-0001-00	JUMPER WIRE	K5K6M3
C118			CC73GCH1H681J	CHIP C 680PF J	E2E3E4	W19 -26			E31-0001-00	JUMPER WIRE	
C118			CC73GCH1H681J	CHIP C 680PF J	E5	W29 -48			E31-0001-00	JUMPER WIRE	E2E3E4
C118			CC73GCH1H681J	CHIP C 680PF J	M2EE1	W29 -48			E31-0001-00	JUMPER WIRE	E5
C119			CK73GB1H103K	CHIP C 0.010UF K		W29 -48			E31-0001-00	JUMPER WIRE	M2EE1
C163			CK73GB1A224K	CHIP C 0.22UF K		W29 -55			E31-0001-00	JUMPER WIRE	K5K6M3
C164			CE04NW1C100M	ELECTRO 10UF 16WV		W50 -55			E31-0001-00	JUMPER WIRE	E2E3E4
C165			CK73GB1H103K	CHIP C 0.010UF K		W50 -55			E31-0001-00	JUMPER WIRE	E5
C201,202			CE04NW1H2R2M	ELECTRO 2.2UF 50WV		W50 -55			E31-0001-00	JUMPER WIRE	M2EE1
C203			CK73GB1H223K	CHIP C 0.022UF K		W57 -60			E31-0001-00	JUMPER WIRE	
C204			CK73GB1H103K	CHIP C 0.010UF K		L1			L33-1170-05	CHOKE COIL ASSY	
C205			CK73GB1A474K	CHIP C 0.47UF K		L2			L33-1926-05	CHOKE COIL	
C206			CC73GCH1H151J	CHIP C 150PF J		L3			L33-1123-05	LINE FILTER COIL	
C209			CE04NW1H2R2M	ELECTRO 2.2UF 50WV		L9 -11			L40-4795-91	SMALL FIXED INDUCTOR(4.7UH,J)	E2E3E4
C210			CK73GB1H103K	CHIP C 0.010UF K		L9 -11			L40-4795-91	SMALL FIXED INDUCTOR(4.7UH,J)	E5
C211			CE04NW1A470M	ELECTRO 47UF 10WV		L9 -11			L40-4795-91	SMALL FIXED INDUCTOR(4.7UH,J)	M2EE1
C212,213			CK73GB1C104K	CHIP C 0.10UF K		L10 ,11			L40-4795-91	SMALL FIXED INDUCTOR(4.7UH,J)	K5K6M3
C251-254			C90-5296-05	NP-ELECT 0.22UF 50WV		X1			L78-0879-05	RESONATOR (10.0MHZ)	
C255			CE04NW1HR47M	ELECTRO 0.47UF 50WV		X2			L77-2793-05	CRYSTAL RESONATOR (32.768KHz)	
C256			CE04NW1C220M	ELECTRO 22UF 16WV		X3			L77-2002-05	CRYSTAL RESONATOR (4.332MHz)	E2E3E4
C257			CK73GB1C104K	CHIP C 0.10UF K		X3			L77-2002-05	CRYSTAL RESONATOR (4.332MHz)	E5
C258			C90-2558-05	ELECTRO 1.0UF 50WV		X3			L77-2002-05	CRYSTAL RESONATOR (4.332MHz)	M2EE1
C301,302			CE04NW1HR47M	ELECTRO 0.47UF 50WV		D	2D		N80-3008-46	PAN HEAD TAPTITE SCREW	
C303			CE04NW1A470M	ELECTRO 47UF 10WV		E	2D		N80-3010-46	PAN HEAD TAPTITE SCREW	
C304			CK73GB1H103K	CHIP C 0.010UF K		F	2D		N83-3005-46	PAN HEAD TAPTITE SCREW	
C306			CK73GB1H103K	CHIP C 0.010UF K		G	2D		N83-3020-46	PAN HEAD TAPTITE SCREW	
C306			CK73GB1H103K	CHIP C 0.010UF K		K	2D		N86-2606-46	BINDING HEAD TAPTITE SCREW	
C351-354			CE04NW1C100M	ELECTRO 10UF 16WV	K5	R1			RK73GB2A823J	CHIP R 82K J 1/10W	
C351,352			CE04NW1C100M	ELECTRO 10UF 16WV	EE1E2	R2			RK73GB2A363J	CHIP R 36K J 1/10W	
C351,352			CE04NW1C100M	ELECTRO 10UF 16WV	E3E4E5	R3			RK73GB2A104J	CHIP R 100K J 1/10W	
C351,352			CE04NW1C100M	ELECTRO 10UF 16WV	K6M2M3	R4			RK73FB2B203J	CHIP R 20K J 1/8W	
C356			CK73GB1H103K	CHIP C 0.010UF K	EE1E2	R5 ,6			RK73GB2A103J	CHIP R 10K J 1/10W	
C356			CK73GB1H103K	CHIP C 0.010UF K	E3E4E5	R7			RK73GB2A223J	CHIP R 22K J 1/10W	
C356			CK73GB1H103K	CHIP C 0.010UF K	K6M2M3	R8			RD14DB2H332J	SMALL-RD 3.3K J 1/2W	
C356,357			CK73GB1H103K	CHIP C 0.010UF K	K5	R9			RD14BB2C333J	RD 33K J 1/6W	
C401			CC73GCH1H180J	CHIP C 18PF J		R10			RK73GB2A223J	CHIP R 22K J 1/10W	
C402			CC73GCH1H220J	CHIP C 22PF J							

K5: KDC-3022 E : KDC-5024Y E4: KDC-5024V
 K6: KDC-322 E1: KDC-5024YV E5: KDC-507
 M2: KDC-5023R E2: KDC-5094RY
 M3: KDC-5023 E3: KDC-5024

△ indicates safety critical components.

PARTS LIST

* New Parts

Parts without **Parts No.** are not supplied.

Les articles non mentionnes dans le **Parts No.** ne sont pas fournis.

Teile ohne **Parts No.** werden nicht geliefert.

ELECTRIC UNIT (X25-9580-xx/2232-xx)

Ref. No.	A d d	N e w	Parts No.	Description	Dest inati on	Ref. No.	A d d	N e w	Parts No.	Description	Dest inati on
R11			RK73GB2A104J	CHIP R 100K J 1/10W		R187			RK73GB2A473J	CHIP R 47K J 1/10W	
R12			RK73GB2A473J	CHIP R 47K J 1/10W		R201			RK73GB2A103J	CHIP R 10K J 1/10W	
R13			RD14BB2C562J	RD 5.6K J 1/6W		R202-204			RK73GB2A472J	CHIP R 4.7K J 1/10W	
R21			RK73FB2B152J	CHIP R 1.5K J 1/8W		R205			RK73GB2A222J	CHIP R 2.2K J 1/10W	
R22 ,23			RD14BB2C472J	RD 4.7K J 1/6W		R206-208			RK73GB2A102J	CHIP R 1.0K J 1/10W	
R24 -28			RK73GB2A103J	CHIP R 10K J 1/10W	K5K6M3	R209,210			RK73GB2A103J	CHIP R 10K J 1/10W	
R25 -28			RK73GB2A103J	CHIP R 10K J 1/10W	E2E3E4	R251			RK73GB2A103J	CHIP R 10K J 1/10W	
R25 -28			RK73GB2A103J	CHIP R 10K J 1/10W	E5	R252,253			RK73GB2A473J	CHIP R 47K J 1/10W	
R25 -28			RK73GB2A103J	CHIP R 10K J 1/10W	M2EE1	R254			RK73GB2A152J	CHIP R 1.5K J 1/10W	
R31			RD14BB2C103J	RD 10K J 1/6W	E2E3E4	R255			RK73GB2A101J	CHIP R 100 J 1/10W	
R31			RD14BB2C103J	RD 10K J 1/6W	E5	R256			RK73GB2A103J	CHIP R 10K J 1/10W	
R31			RD14BB2C103J	RD 10K J 1/6W	M2EE1	R257			RK73GB2A123J	CHIP R 12K J 1/10W	E3E4E5
R32			RK73GB2A223J	CHIP R 22K J 1/10W	E2E3E4	R257			RK73GB2A153J	CHIP R 15K J 1/10W	E2
R32			RK73GB2A223J	CHIP R 22K J 1/10W	E5	R257			RK73GB2A153J	CHIP R 15K J 1/10W	K5K6M2
R32			RK73GB2A223J	CHIP R 22K J 1/10W	M2EE1	R257			RK73GB2A153J	CHIP R 15K J 1/10W	M3EE1
R33			RK73GB2A473J	CHIP R 47K J 1/10W	E2E3E4	R259			RK73GB2A223J	CHIP R 22K J 1/10W	
R33			RK73GB2A473J	CHIP R 47K J 1/10W	E5	R260			RD14BB2C223J	RD 22K J 1/6W	
R33			RK73GB2A473J	CHIP R 47K J 1/10W	M2EE1	R261			RK73GB2A223J	CHIP R 22K J 1/10W	
R51 ,52			RK73GB2A222J	CHIP R 2.2K J 1/10W		R262			RD14BB2C223J	RD 22K J 1/6W	
R53 -56			RK73GB2A102J	CHIP R 1.0K J 1/10W		R301,302			RK73EB2E100J	CHIP R 10 J 1/4W	
R58			RK73GB2A222J	CHIP R 2.2K J 1/10W		R303			RK73EB2E101J	CHIP R 100 J 1/4W	
R59			RK73GB2A101J	CHIP R 100 J 1/10W		R304,305			RK73EB2E472J	CHIP R 4.7K J 1/4W	
R60			RK73GB2A102J	CHIP R 1.0K J 1/10W		R306			RK73EB2E4R7J	CHIP R 4.7 J 1/4W	
R61 ,62			RK73GB2A104J	CHIP R 100K J 1/10W		R307-309			RK73EB2E472J	CHIP R 4.7K J 1/4W	
R63			RK73GB2A222J	CHIP R 2.2K J 1/10W		R310,311			RK73EB2E101J	CHIP R 100 J 1/4W	
R64 ,65			RK73GB2A104J	CHIP R 100K J 1/10W		R312-315			RK73GB2A104J	CHIP R 100K J 1/10W	
R67 ,68			RK73GB2A471J	CHIP R 470 J 1/10W		R351,352			RK73GB2A361J	CHIP R 360 J 1/10W	
R101			RK73GB2A102J	CHIP R 1.0K J 1/10W		R355,356			RK73GB2A223J	CHIP R 22K J 1/10W	
R102			RK73GB2A471J	CHIP R 470 J 1/10W		R357,358			RK73FB2B181J	CHIP R 180 J 1/8W	
R103			RK73GB2A472J	CHIP R 4.7K J 1/10W		R359,360			RK73GB2A361J	CHIP R 360 J 1/10W	K5
R104			RK73GB2A471J	CHIP R 470 J 1/10W		R361,362			RK73GB2A223J	CHIP R 22K J 1/10W	K5
R105			RK73GB2A472J	CHIP R 4.7K J 1/10W		R363,364			RK73FB2B181J	CHIP R 180 J 1/8W	K5
R106			RK73GB2A222J	CHIP R 2.2K J 1/10W		R374			RK73EB2E102J	CHIP R 1.0K J 1/4W	EE1E3
R111			RK73GB2A472J	CHIP R 4.7K J 1/10W	E2E3E4	R374			RK73EB2E102J	CHIP R 1.0K J 1/4W	E4E5
R111			RK73GB2A472J	CHIP R 4.7K J 1/10W	E5	R401			RK73GB2A102J	CHIP R 1.0K J 1/10W	
R111			RK73GB2A472J	CHIP R 4.7K J 1/10W	M2EE1	R402-404			RK73GB2A104J	CHIP R 100K J 1/10W	
R112-114			RD14BB2C222J	RD 2.2K J 1/6W	E2E3E4	R406			RK73GB2A104J	CHIP R 100K J 1/10W	
R112-114			RD14BB2C222J	RD 2.2K J 1/6W	E5	R408			RK73GB2A104J	CHIP R 100K J 1/10W	E3E4E5
R112-114			RD14BB2C222J	RD 2.2K J 1/6W	M2EE1	R408			RK73GB2A104J	CHIP R 100K J 1/10W	M2EE1
R115			RK73GB2A222J	CHIP R 2.2K J 1/10W	E2E3E4	R409			RK73GB2A104J	CHIP R 100K J 1/10W	M3
R115			RK73GB2A222J	CHIP R 2.2K J 1/10W	E5	R409,410			RK73GB2A104J	CHIP R 100K J 1/10W	K5K6E2
R115			RK73GB2A222J	CHIP R 2.2K J 1/10W	M2EE1	R410			RK73GB2A104J	CHIP R 100K J 1/10W	E3E4E5
R152-154			RK73GB2A471J	CHIP R 470 J 1/10W		R410			RK73GB2A104J	CHIP R 100K J 1/10W	M2EE1
R155			RK73GB2A222J	CHIP R 2.2K J 1/10W		R411			RK73GB2A104J	CHIP R 100K J 1/10W	M3
R157,158			RK73GB2A471J	CHIP R 470 J 1/10W		R412			RK73GB2A104J	CHIP R 100K J 1/10W	M2E2
R159			RK73GB2A102J	CHIP R 1.0K J 1/10W		R413,414			RK73GB2A104J	CHIP R 100K J 1/10W	EE1E3
R160			RK73GB2A222J	CHIP R 2.2K J 1/10W		R413,414			RK73GB2A104J	CHIP R 100K J 1/10W	E4E5
R161			RK73GB2A225J	CHIP R 2.2M J 1/10W		R413,414			RK73GB2A104J	CHIP R 100K J 1/10W	K5K6M3
R162,163			RK73GB2A104J	CHIP R 100K J 1/10W		R414			RK73GB2A104J	CHIP R 100K J 1/10W	M2E2
R164,165			RK73GB2A473J	CHIP R 47K J 1/10W		W101			R92-2052-05	CHIP R 0 OHM J 1/10W	E2E3E4
R166			RK73GB2A472J	CHIP R 4.7K J 1/10W		W101			R92-2052-05	CHIP R 0 OHM J 1/10W	E5
R167			RK73GB2A474J	CHIP R 470K J 1/10W		W101			R92-2052-05	CHIP R 0 OHM J 1/10W	M2EE1
R168			RK73GB2A102J	CHIP R 1.0K J 1/10W		W102			R92-1252-05	CHIP R 0 OHM J 1/16W	
R184,185			RK73GB2A474J	CHIP R 470K J 1/10W		W103,104			R92-2053-05	CHIP R 0 J 1/8W	
R186			RK73GB2A222J	CHIP R 2.2K J 1/10W							

PARTS LIST

* New Parts

Parts without **Parts No.** are not supplied.

Les articles non mentionnes dans le **Parts No.** ne sont pas fournis.

Teile ohne **Parts No.** werden nicht geliefert.

ELECTRIC UNIT (X25-9580-xx/2232-xx)

Ref. No.	A d d	N e w	Parts No.	Description	Dest inati on
S1			S74-0821-05	MICRO SWITCH	
D1			1N5393G-M6	DIODE	
D2 -4			MA4068(N)-M	ZENER DIODE	
D21			MA4082(N)-L	ZENER DIODE	
D22 ,23			AM01Z	DIODE	
D24 ,25			D1F60	DIODE	
D26			1SS133	DIODE	E2E3E4
D26			1SS133	DIODE	E5
D26			1SS133	DIODE	M2EE1
D26 ,27			1SS133	DIODE	K5K6M3
D31			HZS5B1	ZENER DIODE	E2E3E4
D31			HZS5B1	ZENER DIODE	E5
D31			HZS5B1	ZENER DIODE	M2EE1
D151-155			MA4062-L	ZENER DIODE	
D157,158			MA4062-L	ZENER DIODE	
D160-163			MA4062-L	ZENER DIODE	
D201,202			MA4068(N)-M	ZENER DIODE	
D203			1SS133	DIODE	
D251,252			S1J	DIODE	
D253			AM01Z	DIODE	
D254			S1J	DIODE	
D255			AM01Z	DIODE	
D256-258			S1J	DIODE	
D269-271			1SS133	DIODE	
D301-308			MA4062-L	ZENER DIODE	
D309-311			MA4068(N)-M	ZENER DIODE	
D401			1SS133	DIODE	
IC1		*	M30302MC-1N4FP	MICROCONTROLLER IC	E3E4E5
IC1		*	M30302MC-5W3FP	MI-COM IC	E2
IC1		*	M30302MC-5W3FP	MI-COM IC	K5K6M2
IC1		*	M30302MC-5W3FP	MI-COM IC	M3EE1
IC2			TDA7407D	ANALOGUE IC	
IC3			BA4911-V4	ANALOGUE IC	
IC4			TA8273H	ANALOGUE IC	
IC6			HD74HC27FP	MOS-IC	
IC7			SAA6581T	ANALOGUE IC	E2E3E4
IC7			SAA6581T	ANALOGUE IC	E5
IC7			SAA6581T	ANALOGUE IC	M2EE1
IC8			PST3435UL	MOS-IC	
IC10			BR24C01AF-W	ROM IC	E3E4E5
IC10			M24C01-WMN6T	ROM IC	E3E4E5
Q1 -3			2SC4081	TRANSISTOR	
Q4			2SA1036K	TRANSISTOR	
Q21			2SD2375	TRANSISTOR	
Q22			UMC2N	TRANSISTOR	E2E3E4
Q22			UMC2N	TRANSISTOR	E5
Q22			UMC2N	TRANSISTOR	M2EE1
Q22 ,23			UMC2N	TRANSISTOR	K5K6M3
Q101			DTC143TUA	DIGITAL TRANSISTOR	E2E3E4
Q101			DTC143TUA	DIGITAL TRANSISTOR	E5
Q101			DTC143TUA	DIGITAL TRANSISTOR	M2EE1
Q101			KRC410	DIGITAL TRANSISTOR	E2
Q101			KRC410	DIGITAL TRANSISTOR	M2EE1
Q101			UN5216	DIGITAL TRANSISTOR	E2

Ref. No.	A d d	N e w	Parts No.	Description	Dest inati on
Q101			UN5216	DIGITAL TRANSISTOR	M2EE1
Q151			DTA114YUA	DIGITAL TRANSISTOR	
Q151			KRA307	DIGITAL TRANSISTOR	E2
Q151			KRA307	DIGITAL TRANSISTOR	K5K6M2
Q151			KRA307	DIGITAL TRANSISTOR	M3EE1
Q151			UN5114	DIGITAL TRANSISTOR	E2
Q151			UN5114	DIGITAL TRANSISTOR	K5K6M2
Q151			UN5114	DIGITAL TRANSISTOR	M3EE1
Q152			2SA1576A	TRANSISTOR	
Q153			DTC144EUA	DIGITAL TRANSISTOR	
Q153			KRC404	DIGITAL TRANSISTOR	E2
Q153			KRC404	DIGITAL TRANSISTOR	K5K6M2
Q153			KRC404	DIGITAL TRANSISTOR	M3EE1
Q153			UN5213	DIGITAL TRANSISTOR	E2
Q153			UN5213	DIGITAL TRANSISTOR	K5K6M2
Q153			UN5213	DIGITAL TRANSISTOR	M3EE1
Q154			2SA1577	TRANSISTOR	
Q201			DTC143TUA	DIGITAL TRANSISTOR	
Q201			KRC410	DIGITAL TRANSISTOR	E2
Q201			KRC410	DIGITAL TRANSISTOR	K5K6M2
Q201			KRC410	DIGITAL TRANSISTOR	M3EE1
Q201			UN5216	DIGITAL TRANSISTOR	E2
Q201			UN5216	DIGITAL TRANSISTOR	K5K6M2
Q201			UN5216	DIGITAL TRANSISTOR	M3EE1
Q351,352			DTC143TUA	DIGITAL TRANSISTOR	
Q351,352			KRC410	DIGITAL TRANSISTOR	E2
Q351,352			KRC410	DIGITAL TRANSISTOR	K5K6M2
Q351,352			KRC410	DIGITAL TRANSISTOR	M3EE1
Q351,352			UN5216	DIGITAL TRANSISTOR	E2
Q351,352			UN5216	DIGITAL TRANSISTOR	K5K6M2
Q351,352			UN5216	DIGITAL TRANSISTOR	M3EE1
Q354			UN5216	DIGITAL TRANSISTOR	M3EE1
Q354			DTA124EUA	DIGITAL TRANSISTOR	
Q354			KRA303	DIGITAL TRANSISTOR	E2
Q354			KRA303	DIGITAL TRANSISTOR	K5K6M2
Q354			KRA303	DIGITAL TRANSISTOR	M3EE1
Q354			UN5112	DIGITAL TRANSISTOR	E2
Q354			UN5112	DIGITAL TRANSISTOR	K5K6M2
Q354			UN5112	DIGITAL TRANSISTOR	M3EE1
Q355,356			DTC143TUA	DIGITAL TRANSISTOR	K5
Q355,356			KRC410	DIGITAL TRANSISTOR	K5
Q355,356			UN5216	DIGITAL TRANSISTOR	K5
TH1			PTH9C42BE471Q	POSITIVE RESISTOR	
A1			X86-3720-11	FRONT-END UNIT	K5K6M3
A1			X86-3722-70	FRONT-END UNIT	M2EE1
A1			X86-3722-71	FRONT-END UNIT	E3E4E5
A1			X86-3722-72	FRONT-END UNIT	E2
CD PLAYER UNIT (X32-5390-00/01)					
C1			C92-0566-05	CHIP-TAN 10UF 6.3WV	
C2			CK73FB1A225K	CHIP C 2.2UF K	
C3			CK73GB0J105K	CHIP C 1.0UF K	
C5			CC73GCH1H020C	CHIP C 2.0PF C	
C6			CC73GCH1H390J	CHIP C 39PF J	
C7			CK73GB1C104K	CHIP C 0.10UF K	
C8			CK73GB0J105K	CHIP C 1.0UF K	

K5: KDC-3022 E : KDC-5024Y E4: KDC-5024V
 K6: KDC-322 E1: KDC-5024YV E5: KDC-507
 M2: KDC-5023R E2: KDC-5094RY
 M3: KDC-5023 E3: KDC-5024

△ indicates safety critical components.

PARTS LIST

* New Parts

Parts without **Parts No.** are not supplied.

Les articles non mentionnes dans le **Parts No.** ne sont pas fournis.

Teile ohne **Parts No.** werden nicht geliefert.

CD PLAYER UNIT (X32-5390-00/01)

Ref. No.	A d d	N e w	Parts No.	Description	Dest inati on	Ref. No.	A d d	N e w	Parts No.	Description	Dest inati on
C9			CK73GB1H472K	CHIP C 4700PF K		R10			RK73GB2A104J	CHIP R 100K J 1/10W	
C10			CK73GB1C333K	CHIP C 0.033UF K		R11			RK73GB2A333J	CHIP R 33K J 1/10W	
C11			CK73GB1H682K	CHIP C 6800PF K		R12			RK73GB2A244J	CHIP R 240K J 1/10W	
C12			CK73GB1H332K	CHIP C 3300PF K		R13			RK73GB2A914J	CHIP R 910K J 1/10W	
C13			CC73GCH1H271J	CHIP C 270PF J		R14			RK73GB2A104J	CHIP R 100K J 1/10W	
C14			CK73GB1H472K	CHIP C 4700PF K		R15			RK73GB2A472J	CHIP R 4.7K J 1/10W	
C15			CK73GB1H222K	CHIP C 2200PF K		R31			RK73GB2A273J	CHIP R 27K J 1/10W	
C16			CC73GCH1H331J	CHIP C 330PF J		R32			RK73GB2A103J	CHIP R 10K J 1/10W	
C17 ,18			CK73GB1C104K	CHIP C 0.10UF K		R33			RK73GB2A183J	CHIP R 18K J 1/10W	
C31 -34			CK73GB1C104K	CHIP C 0.10UF K		R34			RK73GB2A103J	CHIP R 10K J 1/10W	
C36			CK73FB1A225K	CHIP C 2.2UF K		R35			RK73GB2A393J	CHIP R 39K J 1/10W	
C37 -39			CK73GB1H103K	CHIP C 0.010UF K		R36			RK73GB2A103J	CHIP R 10K J 1/10W	
C40			CK73GB1H153K	CHIP C 0.015UF K		R37			RK73GB2A622J	CHIP R 6.2K J 1/10W	
C41			CK73GB1H102K	CHIP C 1000PF K		R38			RK73GB2A224J	CHIP R 220K J 1/10W	
C42			CK73GB1E473K	CHIP C 0.047UF K		R39			RK73GB2A104J	CHIP R 100K J 1/10W	
C43			CK73GB1H222K	CHIP C 2200PF K		R40			RK73GB2A821J	CHIP R 820 J 1/10W	
C44			CK73GB1H102K	CHIP C 1000PF K		R41			RK73GB2A473J	CHIP R 47K J 1/10W	
C45 -47			CK73GB1C104K	CHIP C 0.10UF K		R42			RK73GB2A472J	CHIP R 4.7K J 1/10W	
C48			CK73GB1H682K	CHIP C 6800PF K		R43			RK73GB2A102J	CHIP R 1.0K J 1/10W	
C49			CK73GB1H152K	CHIP C 1500PF K		R44 ,45			RK73GB2A103J	CHIP R 10K J 1/10W	
C50			CK73GB1H472K	CHIP C 4700PF K	E3E4E5	R46			RK73GB2A273J	CHIP R 27K J 1/10W	
C50			CK73GB1H682K	CHIP C 6800PF K	E2	R47			RK73GB2A222J	CHIP R 2.2K J 1/10W	
C50			CK73GB1H682K	CHIP C 6800PF K	K5K6M2	R48			RK73GB2A103J	CHIP R 10K J 1/10W	
C50			CK73GB1H682K	CHIP C 6800PF K	M3EE1	R49			RK73GB2A393J	CHIP R 39K J 1/10W	E2
C51			CK73GB1H152K	CHIP C 1500PF K	E2	R49			RK73GB2A393J	CHIP R 39K J 1/10W	K5K6M2
C51			CK73GB1H152K	CHIP C 1500PF K	K5K6M2	R49			RK73GB2A393J	CHIP R 39K J 1/10W	M3EE1
C51			CK73GB1H152K	CHIP C 1500PF K	M3EE1	R49			RK73GB2A473J	CHIP R 47K J 1/10W	E3E4E5
C51			CK73GB1H681K	CHIP C 680PF K	E3E4E5	R50			RK73GB2A392J	CHIP R 3.9K J 1/10W	
C52			CK73GB1C104K	CHIP C 0.10UF K		R51			RK73GB2A103J	CHIP R 10K J 1/10W	
C61			CK73FB1A225K	CHIP C 2.2UF K		R52 ,53			RK73GB2A472J	CHIP R 4.7K J 1/10W	
C62			CK73GB1C104K	CHIP C 0.10UF K		R71			RK73GB2A133J	CHIP R 13K J 1/10W	
C71 ,72			CK73GB1H471K	CHIP C 470PF K		R72			RK73FB2B201J	CHIP R 200 J 1/8W	
C73 ,74			CC73GCH1H680J	CHIP C 68PF J		R81 -86			RK73FB2B203J	CHIP R 20K J 1/8W	
C75 ,76			CK73GB1H222K	CHIP C 2200PF K		R87 ,88			RK73FB2B331J	CHIP R 330 J 1/8W	
C77 ,78			CK73GB1C104K	CHIP C 0.10UF K		R89 ,90			RK73GB2A332J	CHIP R 3.3K J 1/10W	
C100-102			CK73GB1H102K	CHIP C 1000PF K		R91 ,92			RK73GB2A562J	CHIP R 5.6K J 1/10W	
CN1			E40-9536-05	FLAT CABLE CONNECTOR (16PIN)		R94			RK73GB2A104J	CHIP R 100K J 1/10W	
CN1			E41-0193-05	FLAT CABLE CONNECTOR (16PIN)		R100			RK73GB2A100J	CHIP R 10 J 1/10W	
CN2			E40-9339-05	FLAT CABLE CONNECTOR (22PIN)		S1 ,2			S68-0863-05	PUSH SWITCH	
CN2			E41-0129-05	FLAT CABLE CONNECTOR (22PIN)		S3			S68-0862-05	PUSH SWITCH	
X1			L78-0851-05	RESONATOR (16.93MHZ)		D1			DAN202U	DIODE	
CP1			R90-1019-05	MULTI-COMP 100 X2		D1			MA142WK	DIODE	
CP2			R90-1014-05	MULTI-COMP 100 X4		D2			MA8051-L	ZENER DIODE	
CP3			R90-0974-05	MULT R 1.8KX4		D3			DA204U	DIODE	
CP4			R90-0718-05	MULTI-COMP 4.7K X4		IC1			AN22002AA	ANALOGUE IC	
CP5			R90-0720-05	MULTI-COMP 100K X4		IC2			MN6627771KP	MOS-IC	
R1			RK73GB2A910J	CHIP R 91 J 1/10W		IC3			BA5824FP	ANALOGUE IC	
R2 ,3			RK73GB2A562J	CHIP R 5.6K J 1/10W		IC4			NJM4580M1	ANALOGUE IC	
R4			RK73FB2B100J	CHIP R 10 J 1/8W		Q1			MCH6101	TRANSISTOR	
R5 ,6			RK73GB2A332J	CHIP R 3.3K J 1/10W		Q2			2SA1362(Y)	TRANSISTOR	
R7			RK73GB2A362J	CHIP R 3.6K J 1/10W		Q3			DTC124EUA	DIGITAL TRANSISTOR	
R8			RK73GB2A273J	CHIP R 27K J 1/10W		Q3			UN5212	DIGITAL TRANSISTOR	
R9			RK73GB2A392J	CHIP R 3.9K J 1/10W		Q4			DTA143XUA	DIGITAL TRANSISTOR	
						Q5			2SC4081	TRANSISTOR	

K5: KDC-3022

E : KDC-5024Y

E4: KDC-5024V

K6: KDC-322

E1: KDC-5024YV

E5: KDC-507

M2: KDC-5023R

E2: KDC-5094RY

M3: KDC-5023

E3: KDC-5024

⚠ indicates safety critical components.

PARTS LIST

* New Parts

Parts without **Parts No.** are not supplied.

Les articles non mentionnes dans le **Parts No.** ne sont pas fournis.

Teile ohne **Parts No.** werden nicht geliefert.

CD PLAYER UNIT (X32-5390-00/01)

Ref. No.	A d d	N e w	Parts No.	Description	Dest inati on
Q6			2SA1576A	TRANSISTOR	
DAUGHTER UNIT (X89-2570-10/2662-70)					
D1			B30-1566-05	LED (1608,RED)	
C1			CK73GB1H103K	CHIP C 0.010UF K	
CN1			E41-0169-05	SOCKET FOR PIN ASSY (18PIN)	
J1			E58-0865-05	RECTANGULAR RECEPTACLE (16PIN)	
R1			RK73EB2E102J	CHIP R 1.0K J 1/4W	
R2 -5			RK73EB2E471J	CHIP R 470 J 1/4W	
R6 ,7			RK73EB2E102J	CHIP R 1.0K J 1/4W	
R8			RK73EB2E241J	CHIP R 240 J 1/4W	
R9 ,10			RK73EB2E471J	CHIP R 470 J 1/4W	
R11 -13			RK73EB2E102J	CHIP R 1.0K J 1/4W	
S1			S70-0871-05	TACT SWITCH	
MECHANISM ASSY(X92-4650-00/01)					
2	1B		A10-4827-12	CHASSIS	
5	1B		D10-4576-33	ARM ASSY	
8	1A		D10-4579-03	LEVER ASSY	
10	3A		D10-4581-13	ARM	
11	2A		D10-4582-13	ARM	
12	3A		D10-4583-03	ARM	
13	3A		D10-4584-03	ARM	
14	2A		D10-4585-03	ARM	
15	2A		D10-4586-13	SLIDER	
16	3B		D10-4587-22	SLIDER	
17	3B		D10-4588-03	SLIDER	
18	3B		D10-4595-04	ARM	
19	3B		D10-4596-14	ARM	
22	2A		D13-2151-04	GEAR	
23	2B		D13-2152-04	GEAR	
24	3B		D13-2153-04	GEAR	
25	3B		D13-2154-04	GEAR	
26	3B		D13-2155-04	WORM	
27	3B		D13-2156-14	GEAR	
28	3B		D13-2157-04	GEAR	
29	3B		D13-2158-04	GEAR	
30	3B		D13-2168-04	GEAR	
31	3B		D13-2171-04	GEAR	
32	2B		D13-2172-03	RACK (GEAR)	
33	2A		D14-0759-04	ROLLER	
35	2B		D21-2382-04	SHAFT	
36	1A		D23-0954-04	RETAINER	
37	1B		D39-0246-05	DAMPER	
38	2B		G01-3072-04	EXTENSION SPRING	
39	2A		G01-3073-04	TORSION COIL SPRING	
40	2A		G01-3074-04	EXTENSION SPRING	
41	2B		G01-3075-04	EXTENSION SPRING	
42	2A		G01-3076-04	EXTENSION SPRING	

Ref. No.	A d d	N e w	Parts No.	Description	Dest inati on
43	1B		G01-3077-04	EXTENSION SPRING	
44	1B		G02-1399-04	FLAT SPRING	
45	2B		G02-1408-04	FLAT SPRING	
51	1A		J21-9676-22	MOUNTING HARDWARE	
52	3B		J21-9677-02	MOUNTING HARDWARE	
53	1B		J21-9678-03	MOUNTING HARDWARE	
55	1A		J90-1001-11	GUIDE	
56	1B		J90-1023-03	GUIDE	
DFPC1			J84-0141-05	FLEXIBLE PRINTED WIRING BOARD	
A	2B		N09-4460-05	TAPTITE SCREW (OVAL P TAPTIT)	
B	1B		N09-4472-05	MACHINE SCREW (M1.7X8.5)	
C	2B		N09-6004-05	MACHINE SCREW (M1.7X2.5 IB-L)	
D	1B		N09-6108-05	MACHINE SCREW (M2*3.5TYPE3)	
E	2B		N09-6007-05	MACHINE SCREW (PAN M2X2)	
F	1A		N09-6051-05	TAPTITE SCREW (BIND P 2X5)	
G	2A		N19-2163-04	FLAT WASHER	
H	1B		N39-2020-46	PAN HEAD MACHIN SCREW	
DM1			T42-1066-04	DC MOTOR ASSY (SPINDOL)	
DM2			T42-1067-04	DC MOTOR ASSY (LOADING)	
-			X32-5390-00	CD PLAYER UNIT	
DPU1			X93-2010-00	OPTICAL PICKUP ASSY	

K5: KDC-3022 **K6:** KDC-322 **M2:** KDC-5023R **M3:** KDC-5023
E : KDC-5024Y **E1:** KDC-5024YV **E2:** KDC-5094RY **E3:** KDC-5024
E4: KDC-5024V **E5:** KDC-507

△ indicates safety critical components.

SPECIFICATIONS (M type)

KDC-5023**FM tuner section**

Frequency range(Frequency step)	87.5MHz~108.0MHz (50kHz)
	87.9MHz~107.9MHz (200kHz)
Channel space selection	50kHz/200kHz
Usable sensitivity (S/N=30dB)	9.3dBf (0.8 μ V/75 Ω)
Quieting sensitivity (S/N=50dB)	15.2dBf (1.6 μ V/75 Ω)
Frequency response (\pm 3.0dB)	30Hz~15kHz
S/N (MONO)	70dB
Selectivity	\geq 80dB (\pm 400kHz)
Stereo separation (1kHz)	40dB

AM tuner section

Frequency range(Frequency step)	531kHz~1611kHz (9kHz)
	530kHz~1700kHz (10kHz)
Channel space selection	9kHz/10kHz
Usable sensitivity(S/N=20dB)	28dB μ (25 μ V)

CD section

Laser diode	GaAlAs (λ =780nm)
Digital filter (D/A)	8 Times Over Sampling
D/A converter	1 Bit
Spindle speed	500rpm~200rpm (CLV)
Wow & Flutter	Below measurable limit
Frequency response	10Hz~20kHz (\pm 1dB)
T.H.D.	0.01% (1kHz)
S/N (1kHz)	93dB
Dynamic range	93dB
Channel separation	85dB

Audio section

Preout level/Load	2.0V/10k Ω (CD-CH)
Preout impedance	\leq 600 Ω
Maximum power	50Wx4
Full bandwidth power	22Wx4 (at less than 1%THD)
Tone (Bass)	100Hz \pm 10dB
(Middle)	1kHz \pm 10dB
(Treble)	10kHz \pm 10dB

General

Operating voltage	14.4V(11V~16V allowable)
Current consumption	10A
Installation size (WxHxD)	182x53x155 (mm)
	7 -3/16 x 2-1/16 x 6-1/10 (inch)
Weight	1.2kg (2.64lbs)

KDC-5023R**FM tuner section**

Frequency range (Frequency step)	87.5MHz~108.0MHz (50kHz)
Channel space selection	50kHz
Usable sensitivity (S/N=26dB)	0.7 μ V/75 Ω
Quieting sensitivity (S/N=46dB)	1.6 μ V/75 Ω
Frequency response (\pm 3.0dB)	30Hz~15kHz
S/N (MONO)	65dB
Selectivity (DIN)	\geq 80dB(\pm 400kHz)
Stereo separation (1kHz)	35dB

AM tuner section

Frequency range (Frequency step)	531kHz~1611kHz (9kHz)
Usable sensitivity (S/N=20dB)	25 μ V

LW tuner section

Frequency range	153kHz~281kHz
Usable sensitivity(S/N=20dB)	45 μ V

CD section

Laser diode	GaAlAs (λ =780nm)
Digital filter (D/A)	8 Times Over Sampling
D/A converter	1 Bit
Spindle speed	500rpm~200rpm (CLV)
Wow & Flutter	Below measurable limit
Frequency response	10Hz~20kHz (\pm 1dB)
T.H.D.	0.01% (1kHz)
S/N (1kHz)	93dB
Dynamic range	93dB
Channel separation	85dB

Audio section

Preout level/Load	2.0V/10k Ω (CD-CH)
Preout impedance	\leq 600 Ω
Maximum power	50Wx4
Rated power (DIN45324, +B=14.4V)	22Wx4
Tone (Bass)	100Hz \pm 10dB
(Middle)	1kHz \pm 10dB
(Treble)	10kHz \pm 10dB

General

Operating voltage	14.4V (11V~16V allowable)
Current consumption	10A
Installation size (WxHxD)	182x53x155 (mm)
	7 -3/16 x 2-1/16 x 6-1/10 (inch)
Weight	1.2kg (2.64lbs)

SPECIFICATIONS (E type)

KDC-5024/V/Y/YV,KDC-507**FM tuner section**

Frequency range (Frequency step)	87.5MHz~108MHz (50kHz)
Usable sensitivity (S/N=26dB)	0.7 μ V/75 Ω
Quieting sensitivity (S/N=46dB)	1.6 μ V/75 Ω
Frequency response (\pm 3.0dB)	30Hz~15kHz
S/N (MONO)	65dB
Selectivity	\geq 80dB (\pm 400kHz)
Stereo separation (1kHz)	35dB

AM tuner section

Frequency range (Frequency step)	531kHz~1611kHz (9kHz)
Usable sensitivity (S/N=20dB)	25 μ V

LW tuner section

Frequency range	153kHz~281kHz
Usable sensitivity (S/N=20dB)	45 μ V

CD section

Laser diode	GaAlAs (λ =780nm)
Digital filter (D/A)	8 Times Over Sampling
D/A converter	1 Bit
Spindle speed	500rpm~200rpm (CLV)
Wow & Flutter	Below measurable limit
Frequency response	10Hz~20kHz (\pm 1dB)
T.H.D.	0.01% (1kHz)
S/N (1kHz)	93dB
Dynamic range	93dB
Channel separation	85dB

Audio section

Preout level/Load	2.0V/10k Ω (CD-CH)
Preout impedance	\leq 600 Ω
Maximum power	50Wx4
Rated power (DIN45324,+B=14.4V)	30Wx4
Tone (Bass)	100Hz \pm 10dB
(Middle)	1kHz \pm 10dB
(Treble)	10kHz \pm 10dB

General

Operating voltage	14.4V (11V~16V allowable)
Current consumption	10A
Installation size (WxHxD)	182x53x155 (mm) 7 -3/16 x 2-1/16 x 6-1/10 (inch)
Weight	1.2kg (2.64lbs)

KDC-5094RY**FM tuner section**

Frequency range (Frequency step)	87.5MHz~108MHz (50kHz)
Usable sensitivity (S/N=26dB)	0.7 μ V/75 Ω
Quieting sensitivity (S/N=46dB)	1.6 μ V/75 Ω
Frequency range (Frequency step)	65MHz~74MHz (30kHz)
Usable sensitivity (S/N=26dB)	1.4 μ V/75 Ω
Quieting sensitivity (S/N=46dB)	1.6 μ V/75 Ω
Frequency response (\pm 3.0dB)	30Hz~15kHz
S/N (MONO)	65dB
Selectivity (DIN)	\geq 80dB (\pm 400kHz)
Stereo separation (1kHz)	35dB

AM tuner section

Frequency range (Frequency step)	531kHz~1611kHz(9kHz)
Usable sensitivity (S/N=20dB)	25 μ V

LW tuner section

Frequency range	153kHz~281kHz
Usable sensitivity (S/N=20dB)	45 μ V

CD section

Laser diode	GaAlAs (λ =780nm)
Digital filter (D/A)	8 Times Over Sampling
D/A converter	Bit
Spindle speed	500rpm~200rpm (CLV)
Wow & Flutter	Below measurable limit
Frequency response	10Hz~20kHz (\pm 1dB)
T.H.D.	0.01%(1kHz)
S/N (1kHz)	93dB
Dynamic range	93dB
Channel separation	85dB

Audio section

Preout level/Load	2.0V/10k Ω (CD-CH)
Preout impedance	\leq 600 Ω
Maximum power	50Wx4
Rated power(DIN45324,+B=14.4V)	30Wx4
Tone (Bass)	100Hz \pm 10dB
(Middle)	1kHz \pm 10dB
(Treble)	10kHz \pm 10dB

General

Operating voltage	14.4V (11V~16V allowable)
Current consumption	10A
Installation size (WxHxD)	182x53x155 (mm) 7 -3/16 x 2-1/16 x 6-1/10 (inch)
Weight	1.2kg (2.64lbs)

SPECIFICATIONS (K type)

KDC-3022/322**FM tuner section**

Frequency range (Frequency step)	87.9MHz~107.9MHz (200kHz)
Channel space selection	50kHz/200kHz
Usable sensitivity (S/N=30dB)	9.3dBf (0.8μV/75Ω)
Quieting sensitivity (S/N=50dB)	15.2dBf (1.6μV/75Ω)
Frequency response (±3.0dB)	30Hz~15kHz
S/N(MONO)	70dB
Selectivity	≥80dB (±400kHz)
Stereo separation (1kHz)	40dB

AM tuner section

Frequency range (Frequency step)	530kHz~1700kHz (10kHz)
Channel space selection	9kHz/10kHz
Usable sensitivity (S/N=20dB)	28dBμ (25μV)

CD section

Laser diode	GaAlAs (λ=780nm)
Digital filter (D/A)	8 Times Over Sampling
D/A converter	1 Bit
Spindle speed	500rpm~200rpm (CLV)
Wow & Flutter	Below measurable limit
Frequency response	10Hz~20kHz (±1dB)
T.H.D.	0.01% (1kHz)
S/N (1kHz)	93dB
Dynamic range	93dB
Channel separation	85dB

Audio section

Preout level/Load	2.0V/10kΩ (CD-CH)
Preout impedance	≤600Ω
Maximum power	50Wx4
Full bandwidth power	22Wx4 (at less than 1%THD)
Tone (Bass)	100Hz±10dB
(Middle)	1kHz±10dB
(Treble)	10kHz±10dB

General

Operating voltage	14.4V (11V~16V allowable)
Current consumption	10A
Installation size (WxHxD)	182x53x155 (mm) 7 -3/16 x 2-1/16 x 6-1/10 (inch)
Weight	1.2kg (2.64lbs)

KENWOOD follows a policy of continuous advancements in development. For this reason specifications may be changed without notice.

KENWOOD CORPORATION

2967-3, Ishikawa-machi, Hachioji-shi, Tokyo 192-8525, Japan

KENWOOD USA CORPORATION

P.O. BOX 22745, 2201 East Dominguez Street, Long Beach, CA90801-5745, U.S.A.

KENWOOD ELECTRONICS CANADA INC.

6070 Kestrel Road, Mississauga, Ontario, Canada L5T 1S8

KENWOOD ELECTRONICS LATIN AMERICA S.A.P.O. Box 55-2791 Paitilla, Plaza Credicorp Bank Panama,
Piso 9, Oficina 901, Calle 50, Panama, Rep. de Panama**KENWOOD ELECTRONICS BRASIL LTDA.**Alameda Ministro Rocha Azevedo No. 456,
Edifício Jaú, 10o Andar, Cerqueira César, Cep 0140-001,
São Paulo-SP-Brasil**KENWOOD ELECTRONICS UK LIMITED**

Kenwood House, Dwight Road, Watford, Herts, WD18 9EB, United Kingdom

KENWOOD ELECTRONICS DEUTSCHLAND GMBH

Rembrücker-Str. 15, 63150 Heusenstamm, Germany

KENWOOD ELECTRONICS FRANCE S.A.

13, Boulevard Ney, 75018 Paris, France

KENWOOD ELECTRONICS BELGIUM N.V.

Leuvensesteenweg 248 J, 1800 Vilvoorde, Belgium

KENWOOD ELECTRONICS ITALIA S.p.A.

Via G. Sirtori 7/9, 20129 Milano, Italy

KENWOOD IBÉRICA S.A.

Bolivia, 239-08020 Barcelona, Spain

KENWOOD ELECTRONICS AUSTRALIA PTY. LTD. (A.C.N. 001 499 074)16 Giffnock Avenue, Centrecourt Estate, North Ryde,
N.S.W. 2113, Australia**KENWOOD ELECTRONICS (HONG KONG) LTD.**Unit 3712-3724, Level 37, Tower 1, Metroplaza, 223 Hing Fong Road, Kwai Fong, N.T.,
Hong Kong**KENWOOD ELECTRONICS GULF FZE**

P.O. Box 61318, Jebel Ali, Dubai, U.A.E.

KENWOOD ELECTRONICS (THAILAND) CO., LTD.

2019 New Pechburi Road, Bangkapi, Huaykwang, Bangkok, 10320 Thailand

KENWOOD ELECTRONICS SINGAPORE PTE. LTD.

1 Genting Lane, #07-00, Kenwood Building, Singapore, 349544

KENWOOD ELECTRONICS (MALAYSIA) SDN BHD#4.01 Level 4, Wisma Academy Lot 4A, Jalan 19/1, 46300 Petaling Jaya, Selangor Darul Ehsan,
Malaysia